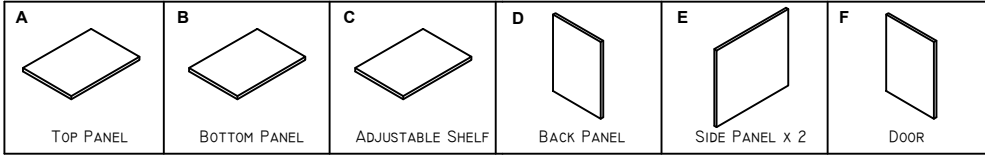
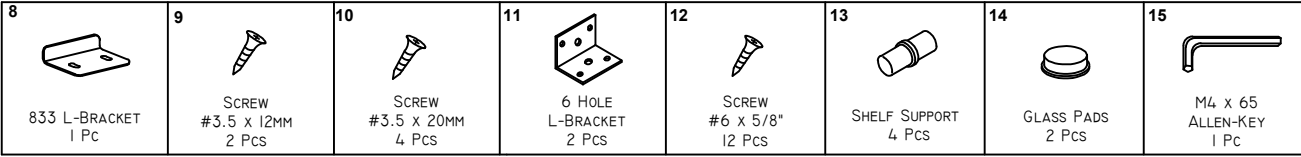
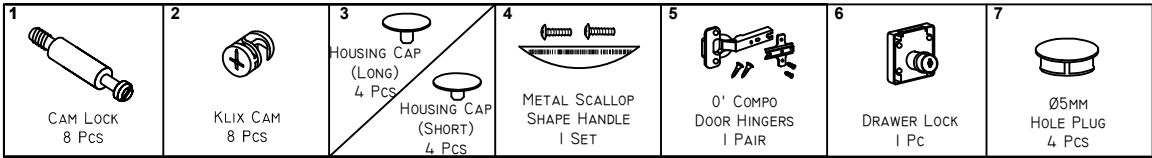
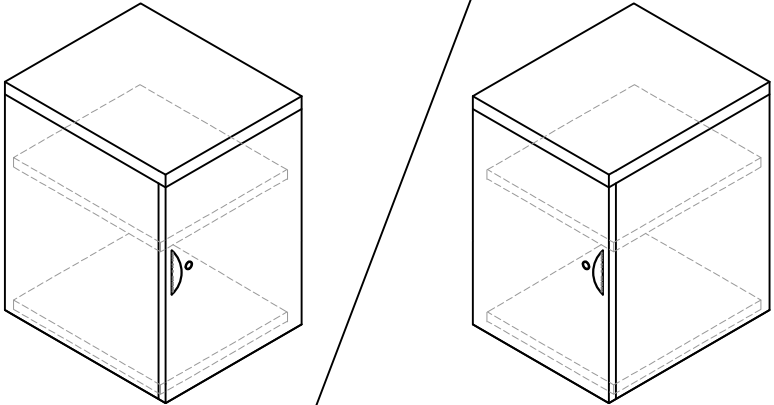
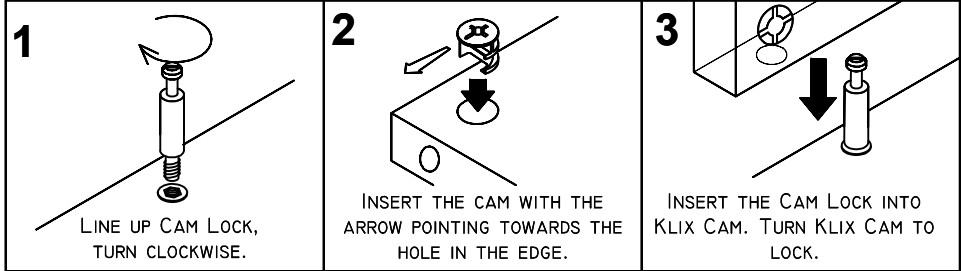


# PL 1052GG CABINET WITH 1 SHELF

Please follow these instructions for easy assembly.



### KLIX CAM INSTRUCTIONS

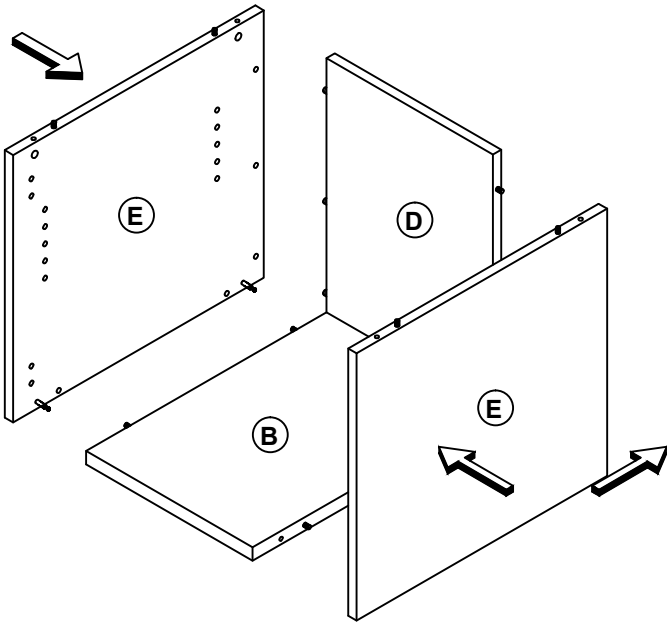


**IMPORTANT !!**

- Place all wooden parts on a clean and smooth surface such as a rug or carpet to avoid the parts from being scratched.
- Check that you have all parts and hardware.
- Remove all wrapping materials, including staples & packing straps before you start to assemble.
- Do not tighten any screws or bolts until the unit is completely assembled.
- Keep all hardware parts out of reach of children.

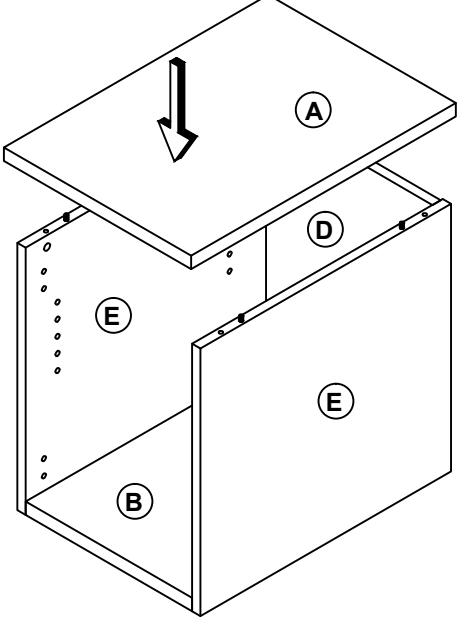
**PL 1052GG  
CABINET WITH 1 SHELF**

**1**



ATTACH THE SIDE PANEL (E) TO BOTTOM PANEL (B) AND BACK PANEL (D) BY USING CAM LOCK (1) AND KLIX CAM (2).

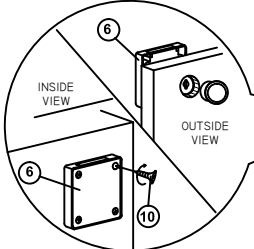
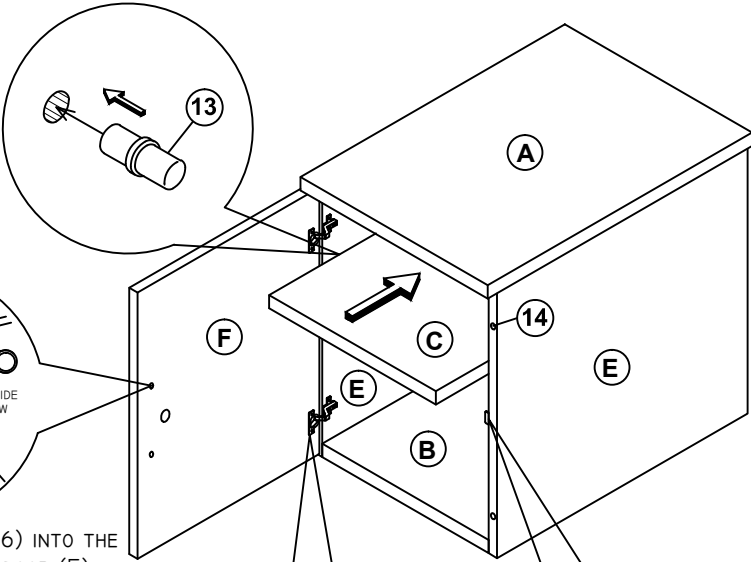
**2**



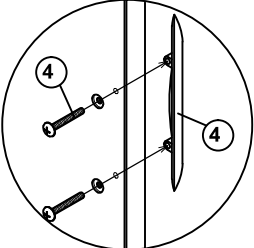
ATTACH THE TOP PANEL (A) TO SIDE PANEL (E) BY USING CAM LOCK (1) AND KLIX CAM (2).

**3**

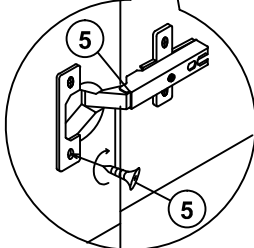
INSERT SHELF SUPPORT PINS (13) INTO THE PRE DRILLED HOLES AND PLACE ADJUSTABLE SHELF (C) AT CONVENIENT DISTANCES.



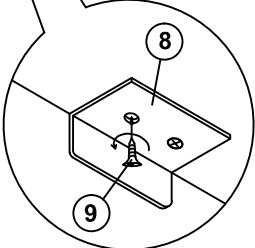
INSERT THE DRAWER LOCK (6) INTO THE PREDRILLED HOLE ON THE DOOR (F).



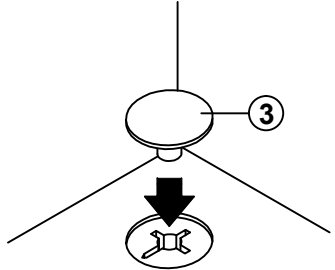
ATTACH THE HANDLE (4) IN FRONT OF THE DOOR (F) AND SCREW IT FROM BEHIND OF THE DOOR (F).



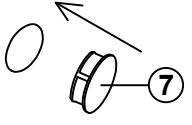
ATTACH THE DOOR HINGERS (5) TO THE DOOR (F) AND SIDE PANEL (E).



ATTACH THE L-BRACKET (8) ON THE EDGE OF THE SIDE PANEL (E).



ATTACH HOUSING CAP (3) TO ALL KLIX CAMS (2) BY PUSHING NECK THROUGHT CENTER OF CAM.



INSERT THE HOLE PLUG (7) TO DRILL HOLE OF THE OTHER EDGE OF SIDE PANEL (E) WHICH THE HOLE ARE NOT IN USE.