

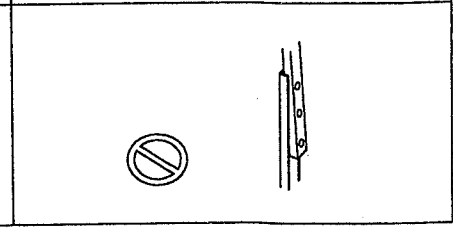
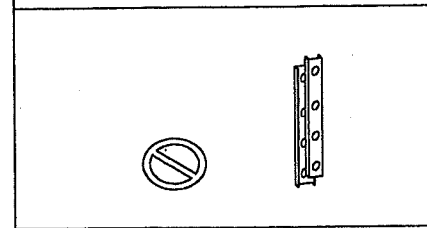
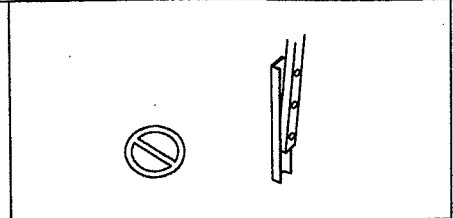
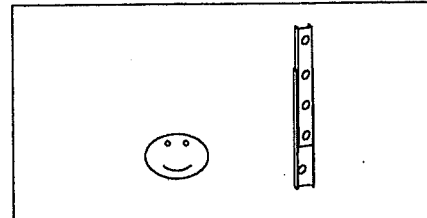
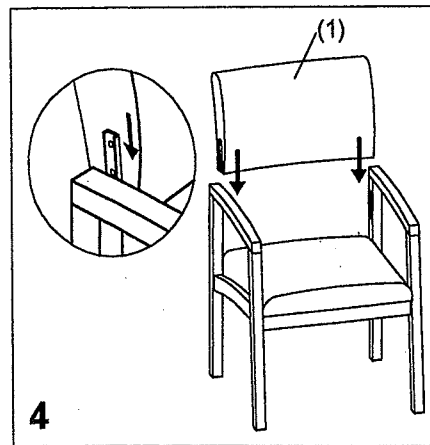
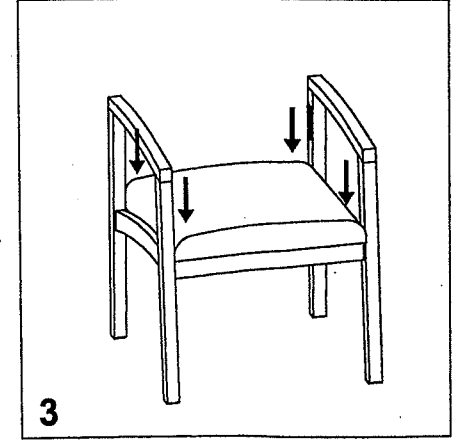
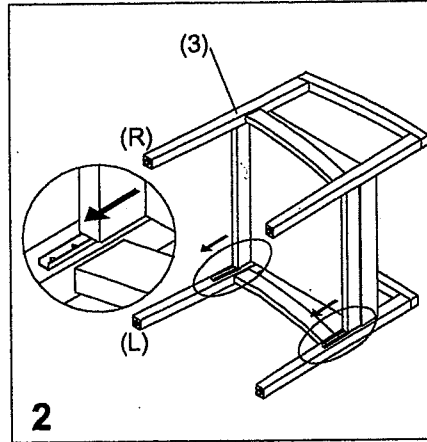
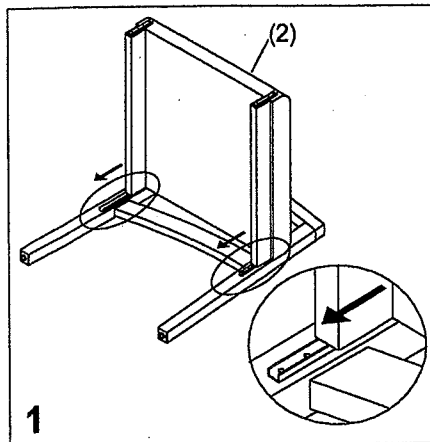
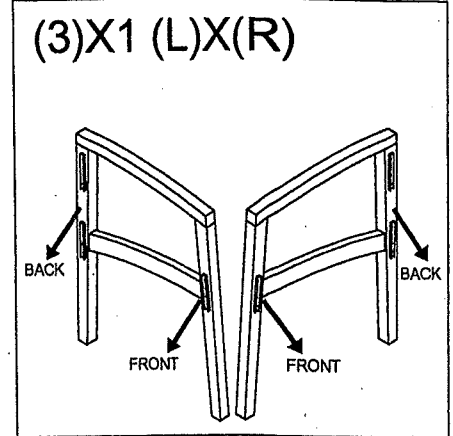
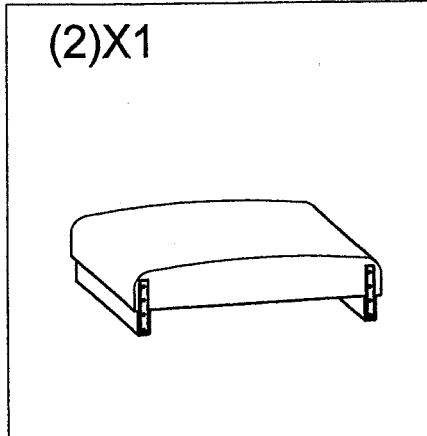
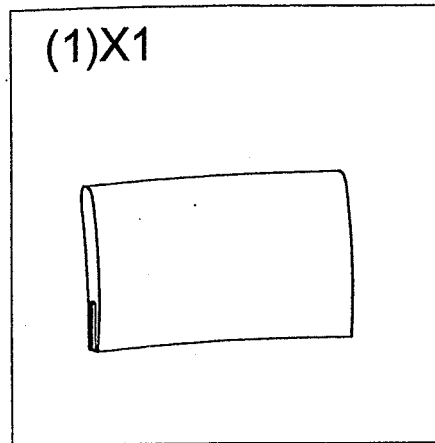


"Functional seating for today's workplace"

# MODEL #1700

## ASSEMBLY INSTRUCTIONS

BEFORE ASSEMBLY, PLEASE REMOVE ALL PARTS FROM THE CARTON AND VERIFY THAT YOU HAVE CORRECT QUANTITIES.



### PREVENTIVE MAINTENANCE AND WARNING

- TO ENSURE PROPER CONNECTION A RUBBER Mallet MAY BE REQUIRED.
- DO NOT USE CHAIR AS STEP STOOL/LADDER.
- IF ANY PARTS ARE MISSING, BROKEN, DAMAGED OR WORN, STOP USE OF THE PRODUCT UNTIL REPAIRS ARE MADE USING FACTORY AUTHORIZED PARTS.
- FAILURE TO FOLLOW THESE WARNINGS CAN RESULT IN SERIOUS INJURY.