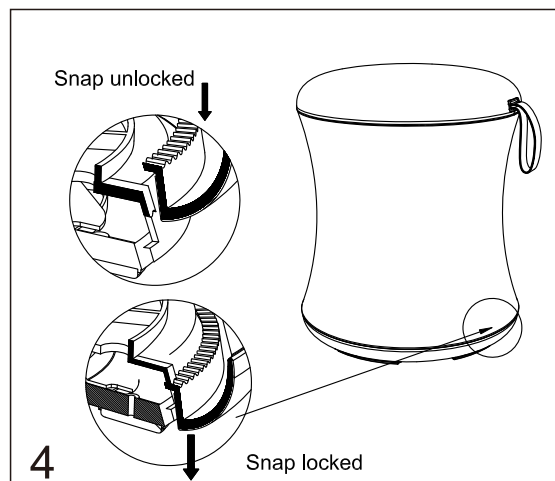
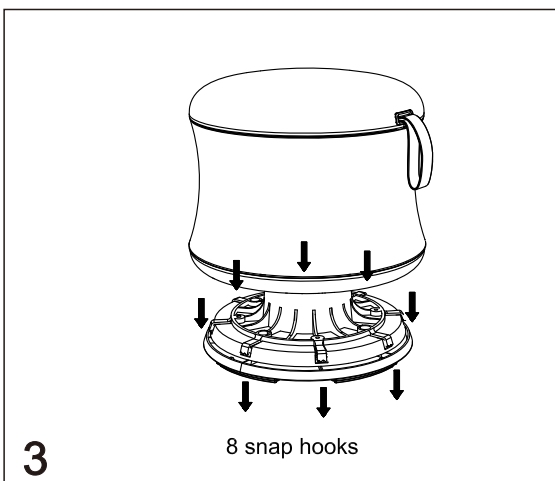
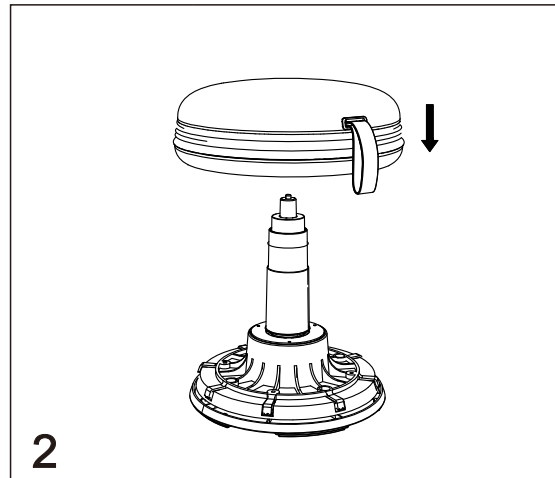
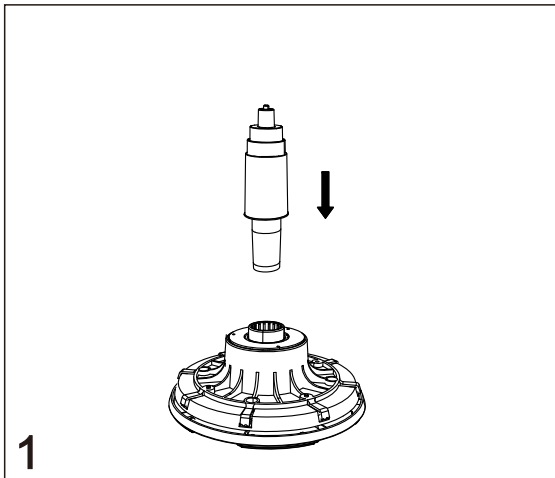
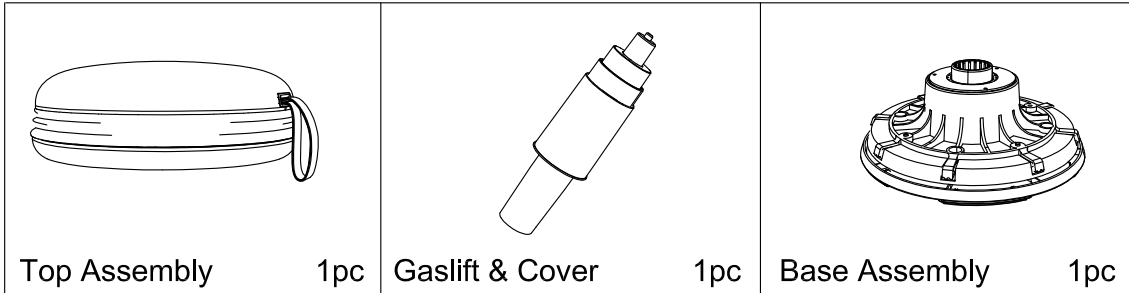


MODEL: 2626

ASSEMBLY INSTRUCTIONS

THANK YOU FOR PURCHASING THIS DESIGNER STOOL FROM PERFORMANCE OFFICE FURNISHINGS.

BEFORE ASSEMBLY, PLEASE REMOVE ALL PARTS FROM THE CARTON AND VERIFY THAT YOU HAVE CORRECT QUANTITIES.

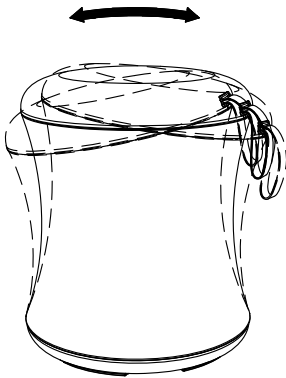


PREVENTIVE MAINTENANCE AND WARNING

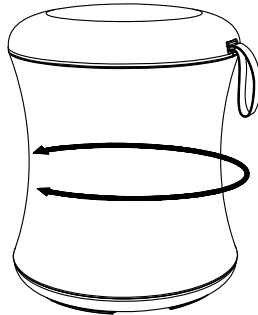
- USE THIS PRODUCT ONLY FOR SEATING ONE PERSON AT A TIME
- DO NOT USE CHAIR AS STEP STOOL/LADDER.
DO NOT USE CHAIR UNLESS ALL BOLTS, SCREWS ARE TIGHTENED. AT LEAST EVERY THREE MONTHS, CHECK ALL BOLTS, SCREWS TO BE SURE THEY ARE TIGHTENED.
- IF ANY PARTS ARE MISSING, BROKEN, DAMAGED OR WORN, STOP USE OF THE PRODUCT UNTIL REPAIRS ARE MADE USING FACTORY AUTHORIZED PARTS.
- FAILURE TO FOLLOW THESE WARNINGS CAN RESULT IN SERIOUS INJURY.

Bobo "Active Seating" -- User Instructions

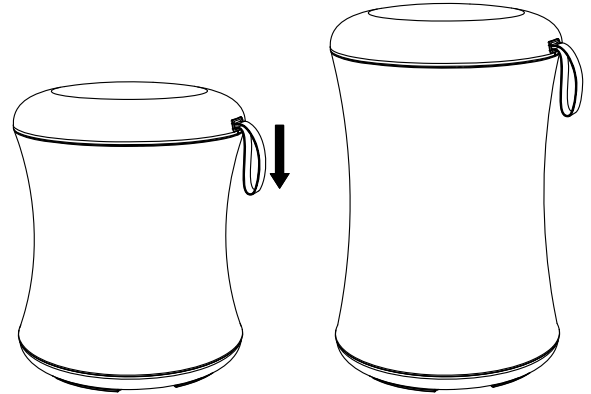
1. Functions



tilting



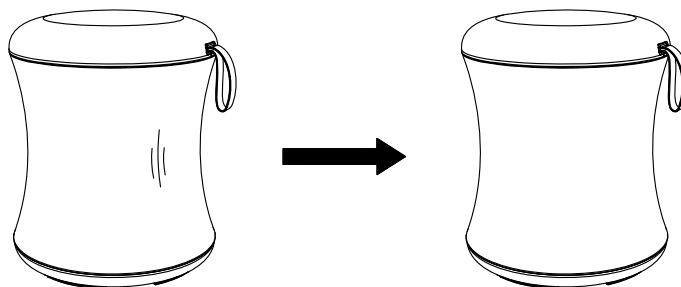
swiveling



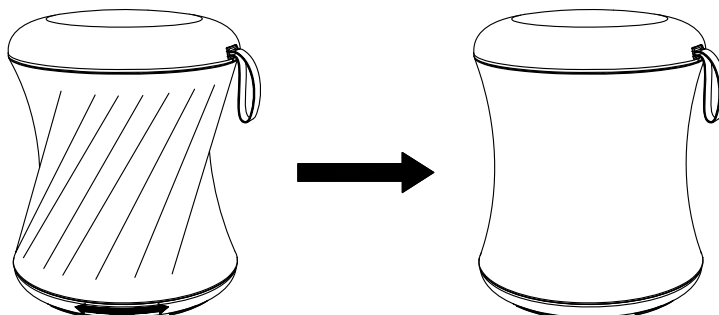
up and down -- pull the strap

2. Fabric recovery

After an extended period of time at the high position, the fabric will appear loose when moving the Bobo to a lower position. The fabric will "recover" and appear without wrinkles after approximately 15 minutes.



Accidental depressions in the fabric will smoothen out when raising and lowering the seat a few times.



Twist the plastic cover on the bottom of Bobo to "untwist" fabric as needed.