

ASSEMBLY INSTRUCTIONS

Remove all items from the carton . Verify all pieces before assembly.

PARTS LIST

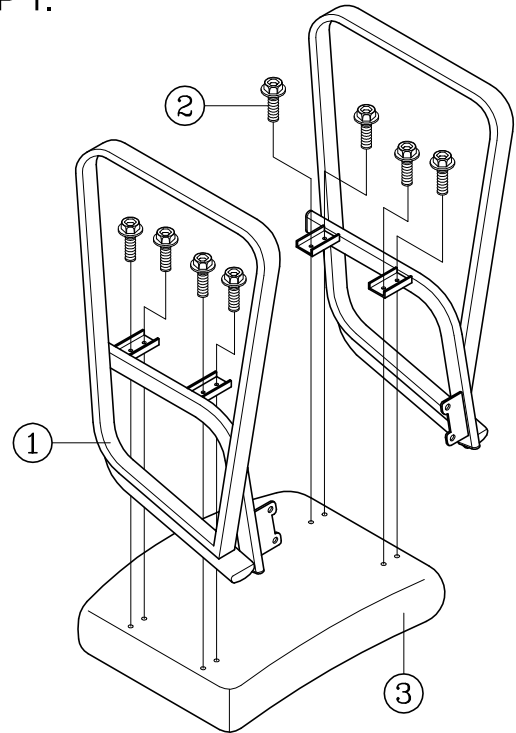
KEY	QTY	DESCRIPTION
1	2	Steel Frame
2	8	Steel Frame Screw (Hex Head)
3	1	Seat
4	1	Backrest
5	4	Backrest Screw (Round Head)

PREVENTIVE MAINTENANCE AND WARNING!

- USE THIS PRODUCT ONLY FOR SEATING ONE PERSON AT A TIME.
- DO NOT USE THIS CHAIR AS A STEP STOOL / LADDER.
- DO NOT SIT ON ANY PART OF THE CHAIR EXCEPT THE SEAT.
- DO NOT USE CHAIR ON UNEVEN FLOOR SURFACES.
- DO NOT USE CHAIR UNLESS ALL BOLTS, SCREWS AND KNOBS ARE TIGHTENED.
- **EVERY SIX MONTHS, PLEASE MAKE SURE ALL BOLTS, SCREWS AND KNOBS ARE FULLY TIGHTENED TO ENSURE STABILITY.**
- IF ANY PARTS ARE MISSING, BROKEN, DAMAGED OR WORN, STOP USE OF THE PRODUCT UNTIL REPAIRS ARE MADE USING FACTORY AUTHORIZED PARTS.
- DISPOSE OF PACKAGING PROPERLY. PLASTIC BAG IS NOT A TOY. DO NOT USE PLASTIC BAG AS HEAD COVERING - IT MAY CAUSE SUFFOCATION.
- FAILURE TO FOLLOW THESE WARNINGS COULD RESULT IN SERIOUS INJURY.
- NOTE: SOME SCREWS MAY BE PREASSEMBLED. IF PREASSEMBLED, IGNORE ASSEMBLY INSTRUCTIONS.

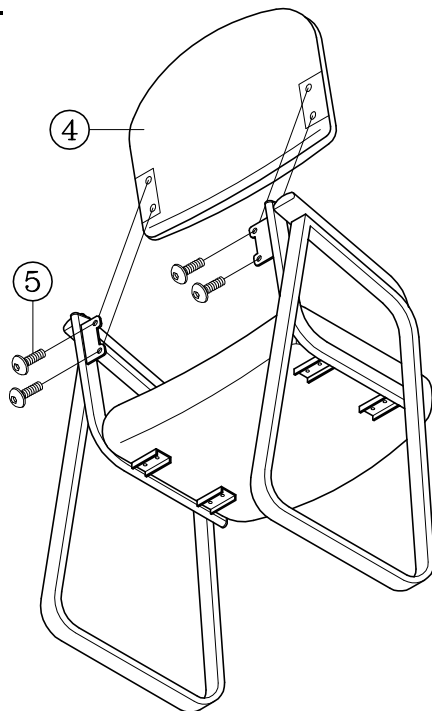
- ★ Use caution when sitting on chair initially . Check all screws to be sure they are securely tightened.

STEP 1.



Align back of (3) seat to holes of (1) steel frame . Screw-in with (2) steel frame screws .
But not making them too tight.

STEP 2.



Align (4) backrest to (1) steel frames as shown . Then , screw-in with (5) backrest screws . Adjust (1) steel frames to reach the balance stand point . Securely tighten screws including screws of (3) seat.

