
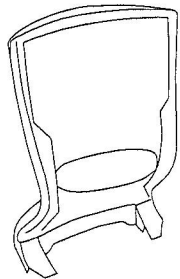
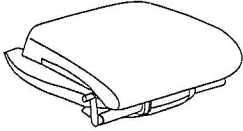
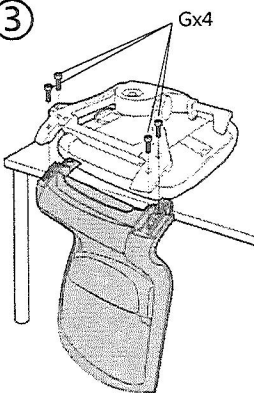
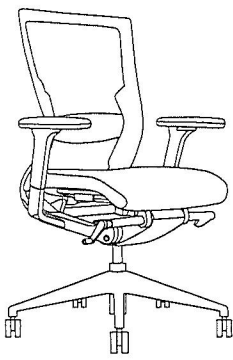

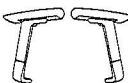




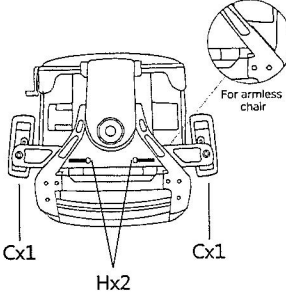
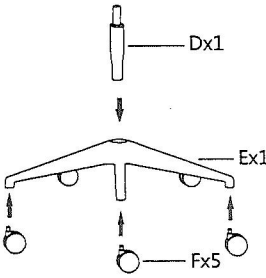
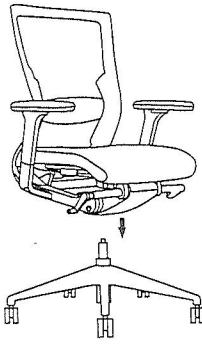




Before assembly, please remove all parts from the carton, verifying that you have the correct quantities, and read all the instructions.

			Assembly Instructions			
A		1			 <p>Gx4</p>	
B		1				
C		1				
D		1				
E		1				
F		5	④	⑤	⑥	
G	 6X25MM	4	 <p>Cx1 Hx2 Cx1</p> <p><i>For armless chair</i></p>	 <p>Dx1 Ex1 Fx5</p>		
H	 8X50MM	2				
J		1				

▲ ATTENTION ▲

Ensure all bolts and screws are tightened, check bolts and screws every 6 months.

If any parts are missing, broken, damaged or worn, stop use of product until repairs have been made using factory authorized parts.

Failure to follow these warnings may result in injury.