

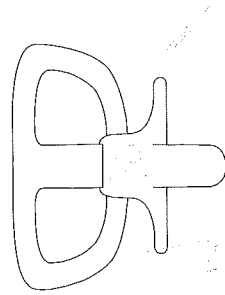
ASSEMBLY INSTRUCTIONS
MODEL: 97004HR



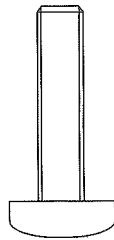
Before assembly, please remove all parts from the carton, verifying that you have the correct quantities, and read all the instructions.

IN THE CARTON:

(1)x1



(2)x2



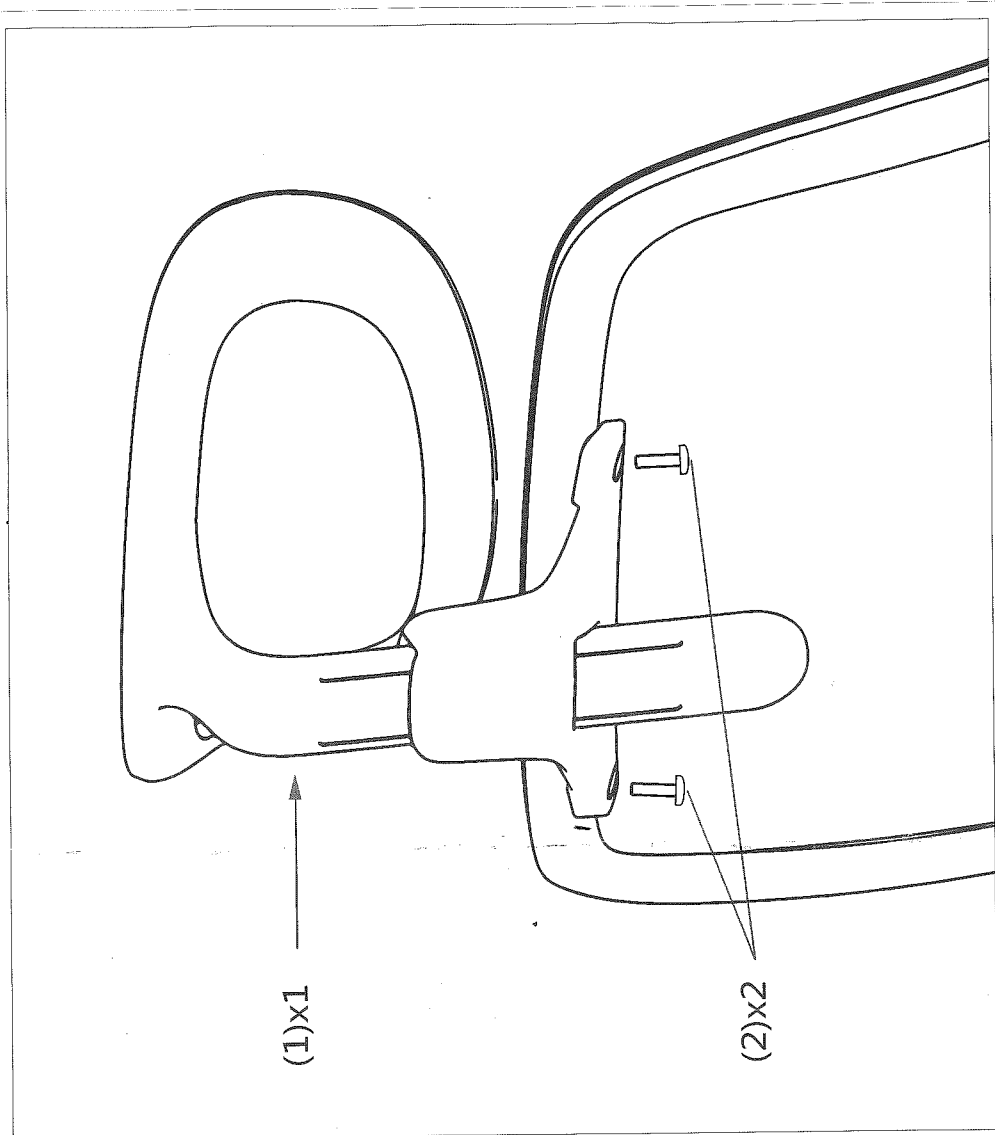
M6*16

INSTRUCTIONS:

(1)x1



(2)x2



ATTENTION

Do not tighten any screws or bolts until the unit is completely assembled. Ensure all bolts and screws are tightened before using the table; check bolts and screws every 6 months. Failure to follow these warnings may result in injury.