

ASSEMBLY INSTRUCTIONS

MODEL: PL 152GG

Before assembly, please remove all parts from the carton, verifying that you have the correct quantities, and read all the instructions.

IN THE CARTON:

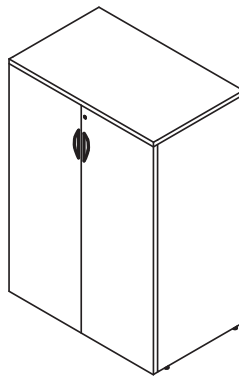
1 Cam Lock 12 Pes	2 Klix Cam 12 Pes	3 Housing Cap (Long) 8 Pes	4 Housing Cap (Short) 4 Pes	5 Adjustable Glide 4 Pes	6 Shelf Support Pin 8 Pes	7 Softclosing Door Hinges 2 Pairs	8 Metal Scallop Shape Handle 2 Sets
9 833 L-Bracket 1 Pc	10 Screw M3.5 x 12mm 2 Pes	11 Door Stopper 1 Pc	12 Screw M3.5 x 16mm 1 Pc	13 Drawer Lock 1 Pc	14 Screw M3.5 x 18mm 4 Pes	15 3" L-Bracket with 6 Hole 2 Pes	
		16 Screw #6 x 5/8" 12 Pes	17 M4 x 65 Allen-Key 1 Pc	18 JCBC Screw M6 x 40mm = 4pcs 1/4 Washer = 8pcs			

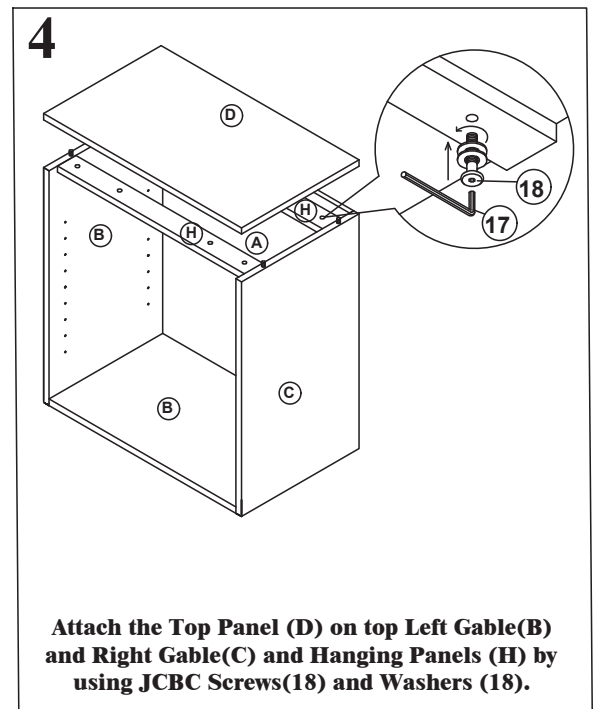
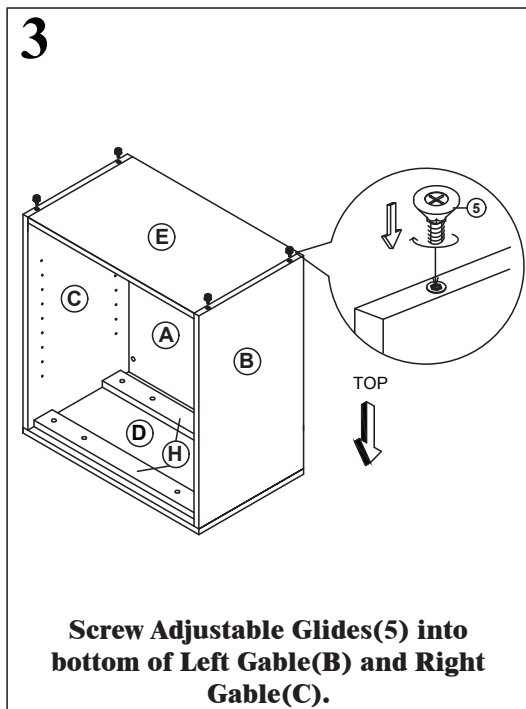
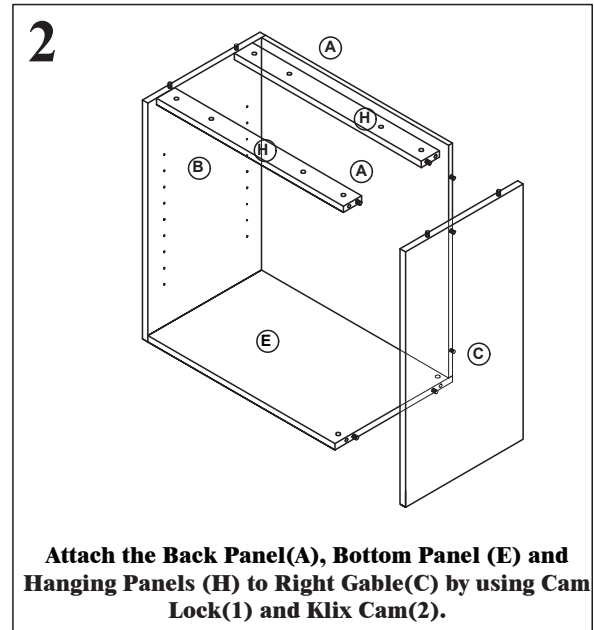
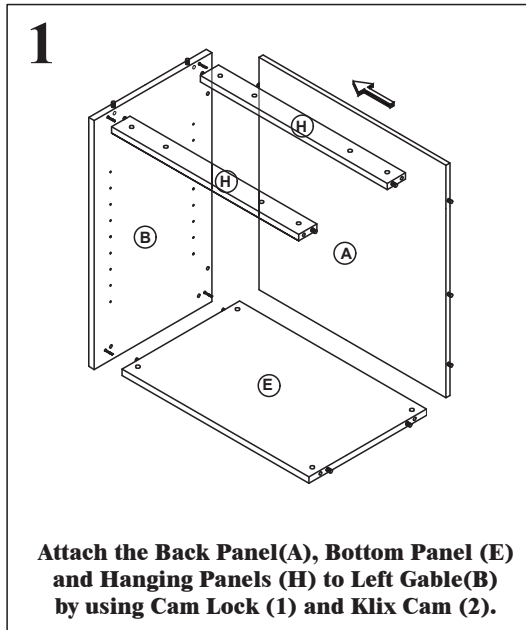
A Back Panel	B Left Gable	C Right Gable	D Top Panel	E Bottom Panel	F Adj. Shelf x 2	G Door Panel x 2	H Hanging Panel x 2
---------------------	---------------------	----------------------	--------------------	-----------------------	-------------------------	-------------------------	----------------------------

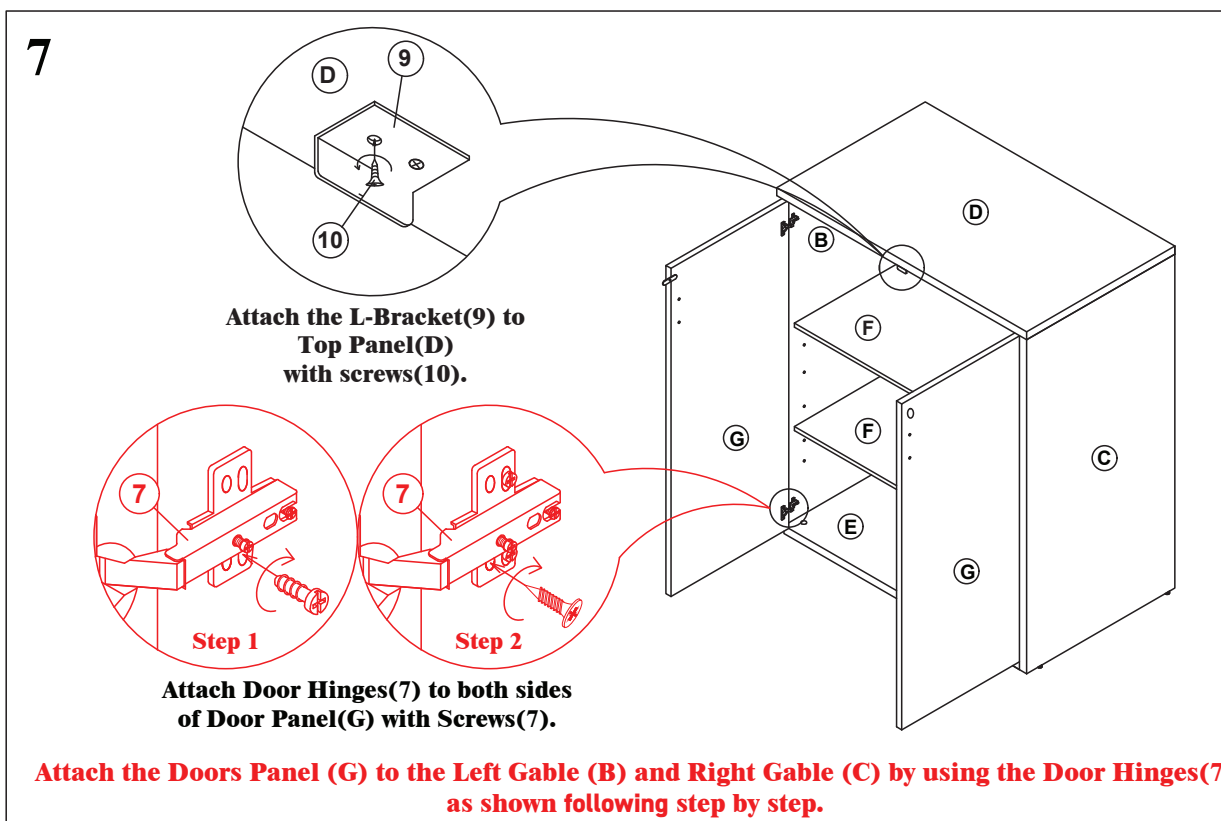
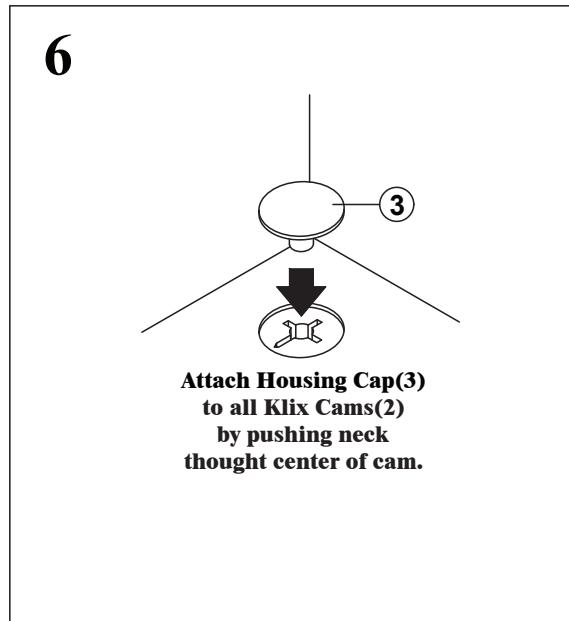
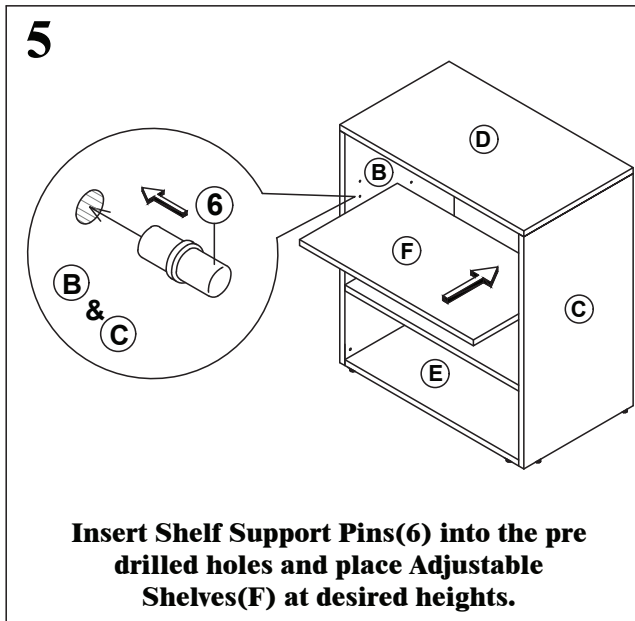
INSTRUCTIONS:

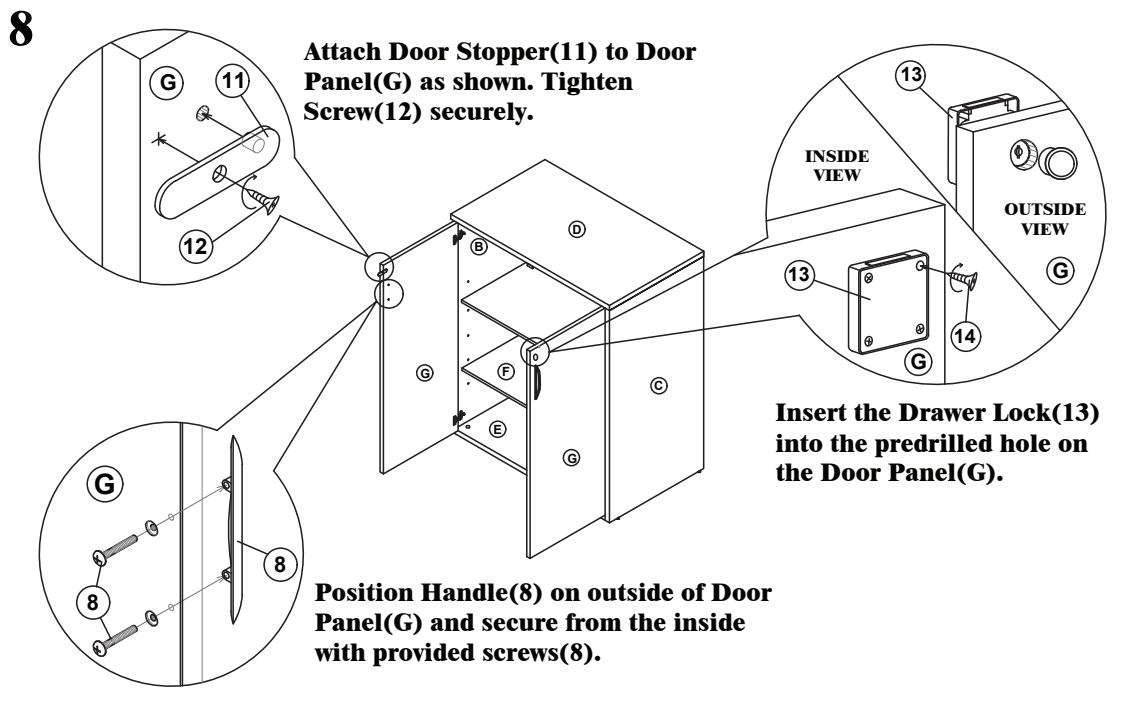
KLIX CAM INSTRUCTIONS

1 Line up Cam Lock, turn clockwise.	2 Insert the cam with the arrow pointing towards the hole in the edge.	3 Insert the Cam Lock into Klix Cam. Turn Klix Cam to lock.
---	---	--

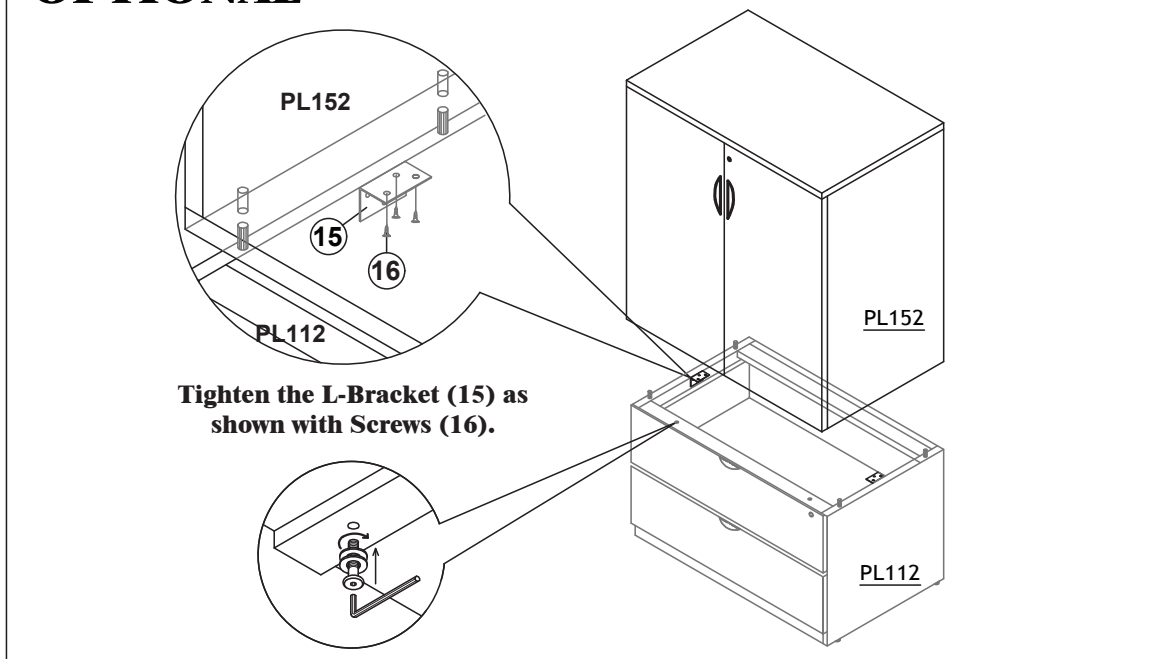








OPTIONAL - FOR USE WITH PL112 LATERAL FILE.




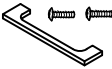





⚠ ATTENTION ⚠

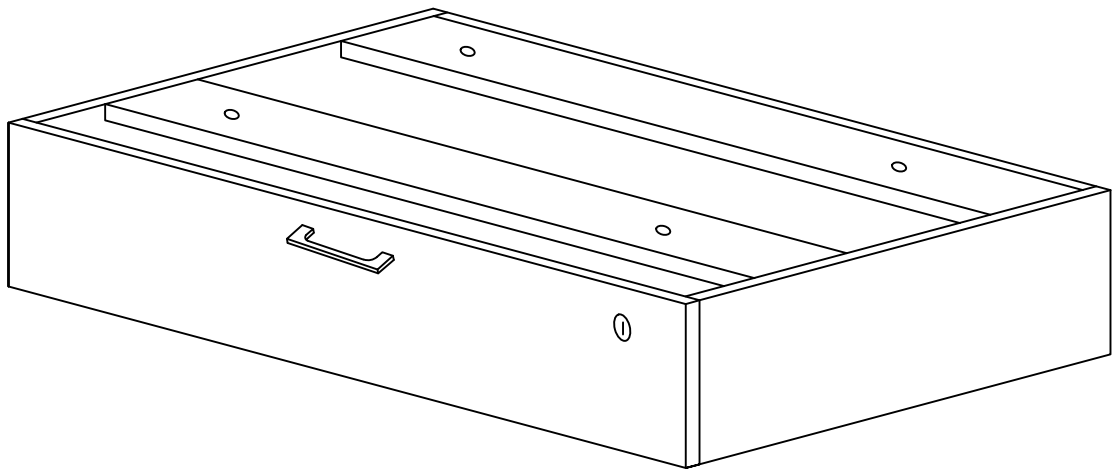
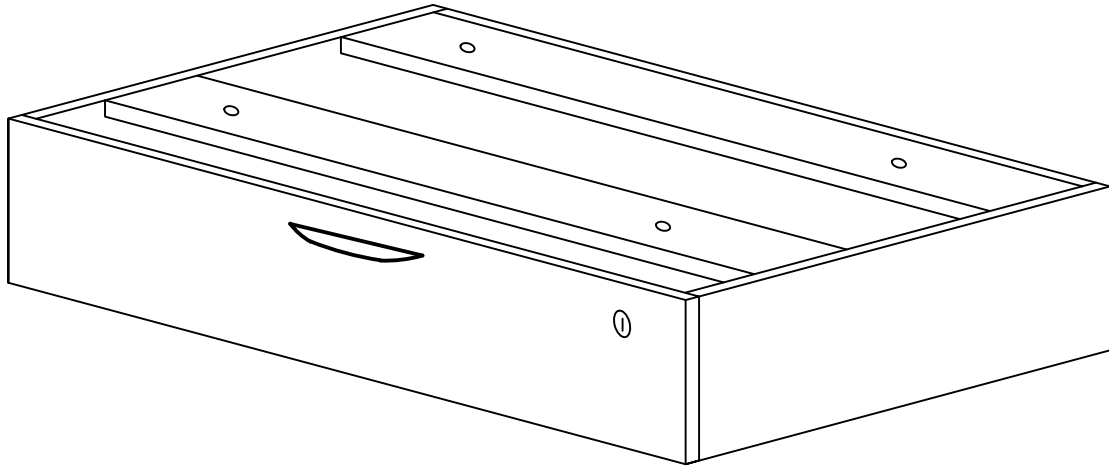
Do not tighten any screws or bolts until the unit is completely assembled.
Ensure all bolts and screws are tightened before using the table, check bolts and screws every 6 months.
If any parts are missing, broken, damaged or worn, stop use of product until repairs have been made using factory authorized parts.
Failure to follow these warnings may result in injury.

MODEL: PL272

Before assembly, please remove all parts from carton, verifying that you have the correct quantities, and read all the instructions.

IN THE CARTON:

<p>1</p>  <p>METAL SCALLOP SHAPE HANDLE 1 SET</p>	 <p>METAL HANDLE 1 SET FOR SLB COLOR</p>	<p>2</p>  <p>JCBC SCREW M6 x 40MM = 4PCS WASHER = 4PCS</p>	<p>3</p>  <p>M4 x 65 ALLEN-KEY 1 Pc</p>	<p>4</p>  <p>L-BRACKET 1 Pc</p>	<p>5</p>  <p>SCREW #3.5 x 12MM 2 PCS</p>
<p>6</p>  <p>KEYS 1 SET</p>					



MODEL: PL272

INSTRUCTION:

1

REMOVE DRAWER FROM MODULAR BUFFET. FULLY OPEN DRAWER. WHERE FIRST SLIDE MEETS SECOND SLIDE THERE IS A SMALL CLIP. PULL THE CLIP ON THE LEFT HAND SLIDE UP, PUSH THE CLIP ON THE RIGHT HAND SLIDE DOWN. PULL DRAWER OUT.

2 MODULAR BUFFET CASE TO UNDERSIDE OF WORKSURFACE BY USING JCBC SCREW (2)

3 ATTACH THE L-BRACKET(4) ON THE BOTTOM OF THE TOP PANEL.

4

ATTACH HANDLE(1) TO THE DRAWER FRONT AND SCREW IT FROM BEHIND DRAWER FRONT.

⚠ ATTENTION ⚠

Place all wooden parts on a clean, smooth surface to prevent them from being scratched. Check to be sure that you have all parts and hardware. Remove all wrapping materials, including staples and packing straps before you start to assemble. Do not tighten all screws/bolts until all completely assembled. Keep all hardware parts out of reach of children. If any parts are missing, broken, damaged or worn, stop use of product until repairs have been made using factory authorized parts. Failure to follow these warnings may result in injury.