









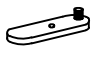





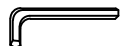
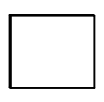


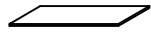
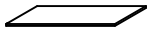
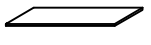

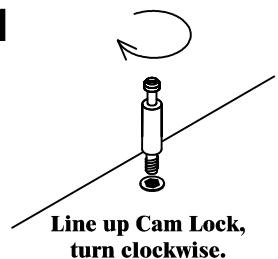
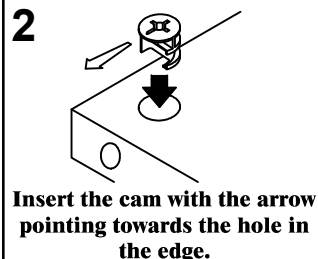
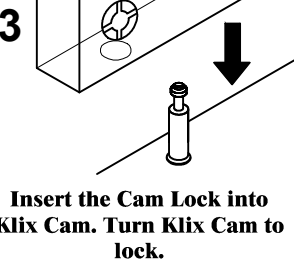
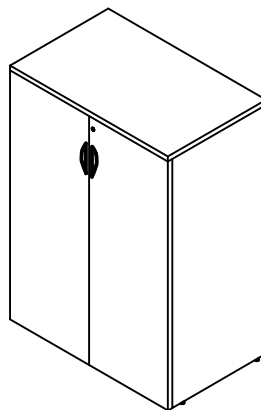


**Thank you for purchasing the Performance Two Door Storage Unit.
Please follow these instructions for easy assembly.**

1  Cam Lock 13 Pcs	2  Klix Cam 13 Pcs	3  Housing Cap (Long) 8 Pcs	4  Housing Cap (Short) 5 Pcs	5  Adjustable Glide 4 Pcs	6  Shelf Support Pin 8 Pcs	7  0° Compo Door Hingers 2 Pairs	8  Metal Scallop Shape Handle 2 Sets
9  833 L-Bracket 1 Pc	10  Screw M3.5 x 12mm 2 Pcs	11  Door Stopper 1 Pc	12  Screw M3.5 x 16mm 1 Pc	13  Drawer Lock 1 Pc	14  Screw M3.5 x 20mm 4 Pcs	15  3" L-Bracket with 6 Hole 2 Pcs	
			16  Screw #6 x 3/8" 12 Pcs	17  M4 x 65 Allen-Key 1 Pc			
A  Back Panel	B  Left Gable	C  Right Gable	D  Top Panel	E  Bottom Panel	F  Adj. Shelf x 2	G  Door Panel x 2	

KLIX CAM INSTRUCTIONS

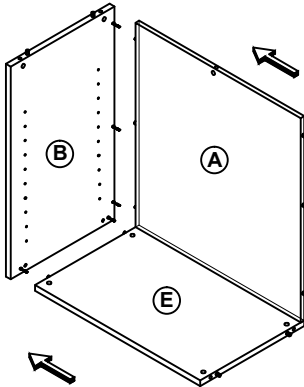
1  Line up Cam Lock, turn clockwise.	2  Insert the cam with the arrow pointing towards the hole in the edge.	3  Insert the Cam Lock into Klix Cam. Turn Klix Cam to lock.
--	---	---



IMPORTANT !!

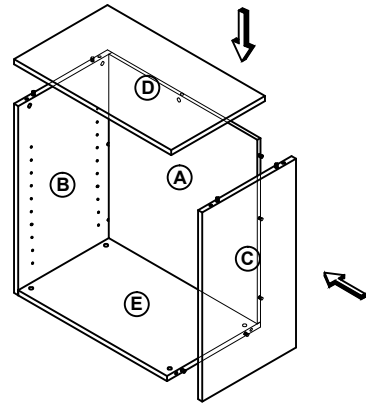
- Place all wooden parts on a clean and smooth surface such as a rug or carpet to avoid the parts from being scratched.
- Check that you have all parts and hardware.
- Remove all wrapping materials, including staples & packing straps before you start to assemble.
- Do not tighten any screws or bolts until the unit is completely assembled.
- Keep all hardware parts out of reach of children.

1



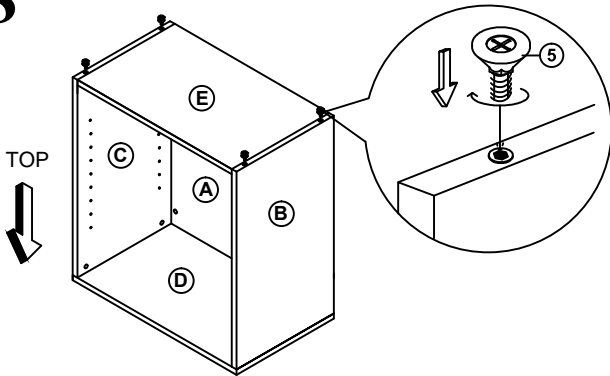
Attach Bottom Panel(E) and Back Panel(A) to Left Gable(B) by using Cam Lock(1) and Klix Cam(2).

2



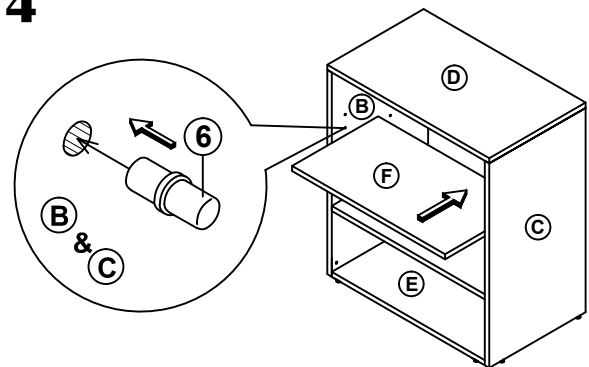
Attach Right Gable(C) and Top Panel(D) by using Cam Lock(1) and Klix Cam(2).

3



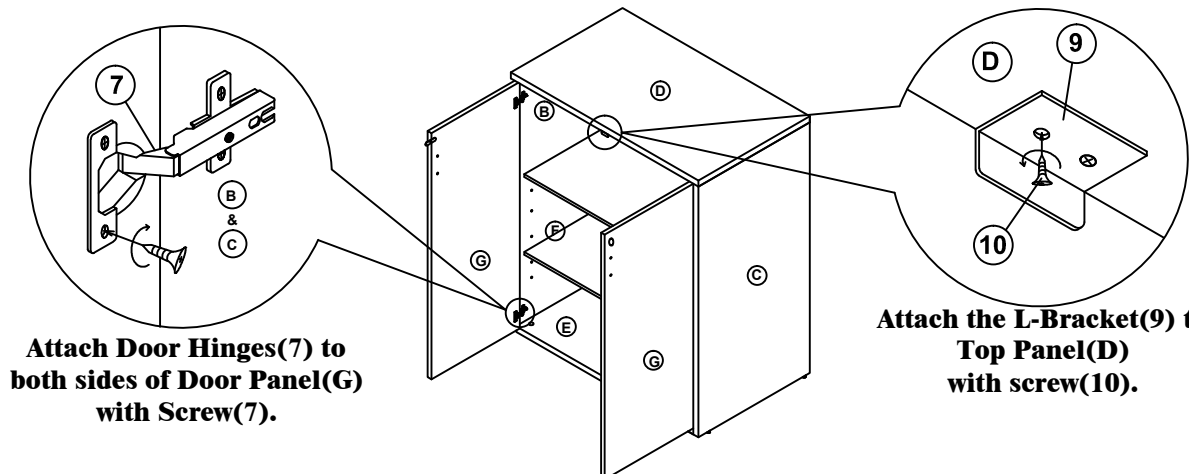
Screw Adjustable Glide(5) into bottom of Left Gable(B) and Right Gable(C).

4



Insert Shelf Support Pins(6) into the pre drilled holes and place Adjustable Shelves(F) at convenient distances.

5

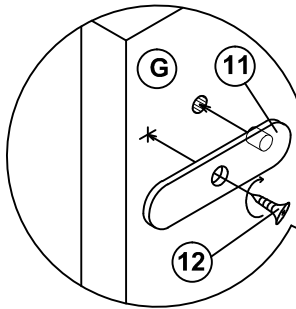


Attach Door Hinges(7) to both sides of Door Panel(G) with Screw(7).

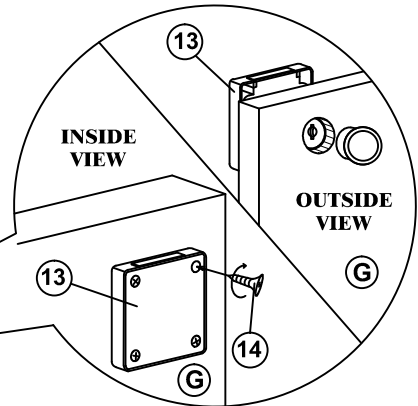
Attach the L-Bracket(9) to Top Panel(D) with screw(10).

Attach the Doors Panel (G) to the Left Gable (B) and Right Gable (C) by using the Door Hinges(7).

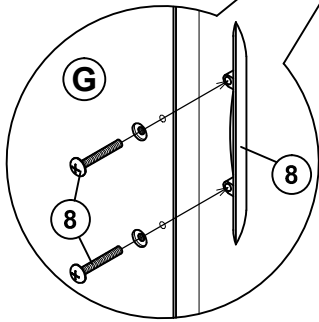
6



Attach Door Stopper(11) to Door Panel(G) as shown. Tighten Screw(12) securely.

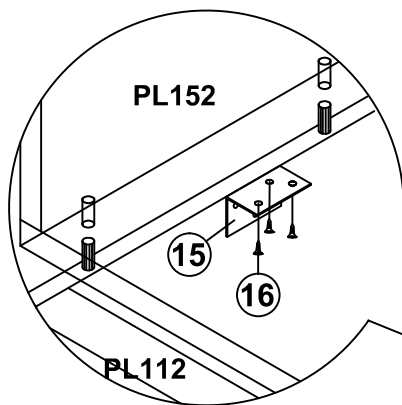


Insert the Drawer Lock(13) into the predrilled hole on the Door Panel(G).

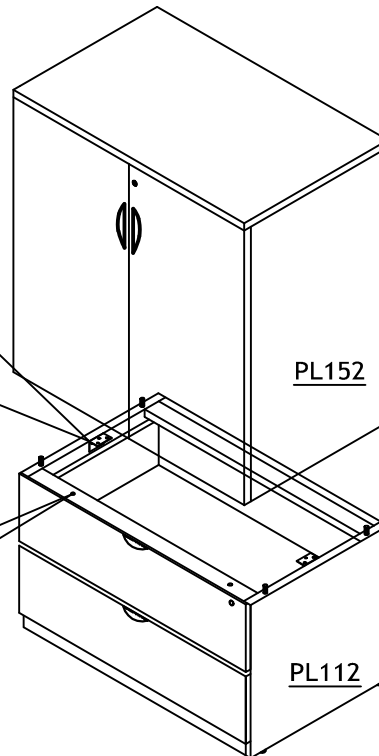
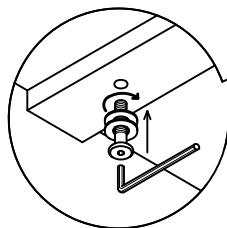


Attach the Handle(8) in front of the Door Panel(G) and screw it from behind Door Panel(G).

OPTIONAL - FOR USE WITH PL112 LATERAL FILE.



Tighten the L-Bracket (15) as shown with Screws (16).



Before assembly, please remove all parts from carton, verifying that you have the correct quantities, and read all the instructions.

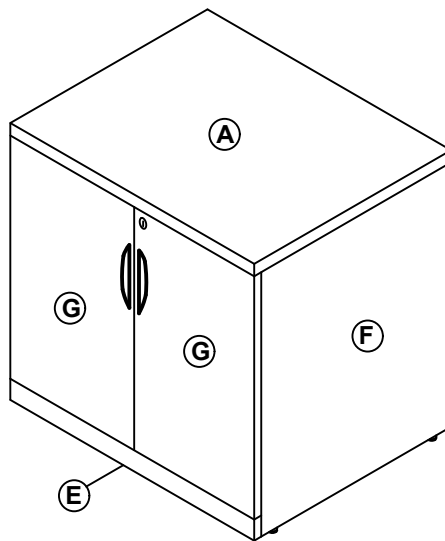
IN THE CARTON:

HARDWARE

1 Cam Lock 8 Pcs	2 Klix Cam 8 Pcs	3 Housing Cap (Long) 8 Pcs	4 Metal Scallop Shape Handle 2 Sets	5 Softclosing Door Hinges 2 Pairs	6 Drawer Lock 1 Pc	7 Door Stopper 1 Pc	8 833 L-Bracket 1 Pc	9 Screw #3.5 x 12mm 2 Pcs
10 Screw #3.5 x 20mm 4 Pcs	11 Screw #3.5 x 16mm 1 Pc	12 Adjustable Glide 4 Pcs	13 6 Hole L-Bracket 3 Pcs	14 Iron Shelf Support 4 Pcs	15 Screw #6 x 5/8" 18 Pcs	16 JCBC Screw M6 x 40mm = 4pcs Washer = 8pcs	17 M4 x 65 Allen-Key 1 Pc	

COMPONENTS

A Top Panel	B Bottom Panel	C Adjustable Shelf	D Back Panel	E Front Rail	F Side Panel x 2	G Door x 2	H Hanging Panel x 2
--------------------	-----------------------	---------------------------	---------------------	---------------------	-------------------------	-------------------	----------------------------



KLIX CAM INSTRUCTIONS

1 Line up Cam Lock, turn clockwise.	2 Insert the cam with the arrow pointing towards the hole in the edge.	3 Insert the Cam Lock into Klix Cam. Turn Klix Cam to lock.
---	---	---

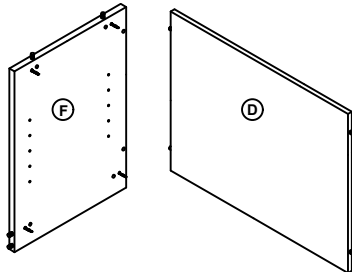
HINGES INSTRUCTIONS

DETAIL x-x

BACK VIEW
 ADJUST THIS SCREW FOR DOOR ALIGNMENT
 AFTER ASSEMBLING THE HINGES.

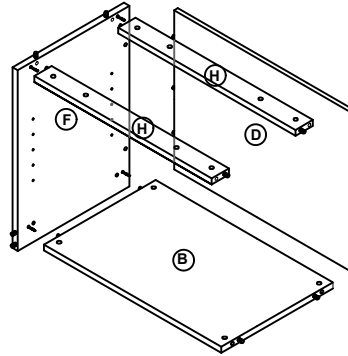
INSTRUCTIONS:

1



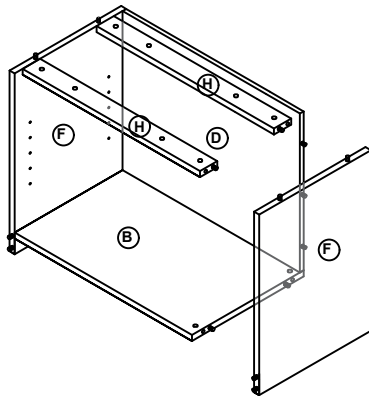
Attach Side Panel (F) to Back Panel (D).

2



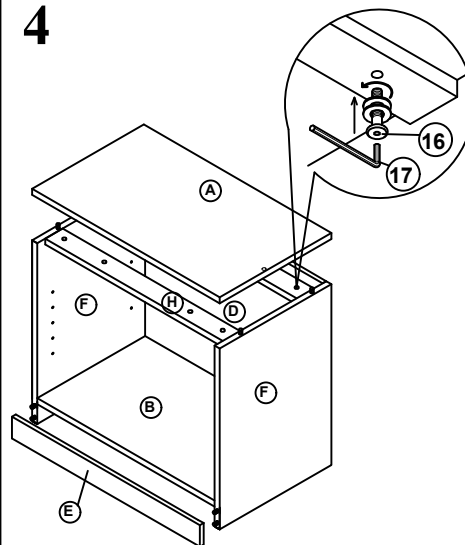
Attach the Bottom Panel (B) and Hanging Panel (H) to Side Panel (F) by using Cam Lock (1) and Klix Cam (2).

3



Attach the Hanging Panel(H) and another Side Panel(F) by using Cam Lock(1) and Klix Cam(2).

4



Attach the Top Panel (A) on top Side Panel (F), Back Panel (D) and Hanging Panel (H) by using JCBC Screw and Washer (16).

Attach the Front Rail (E) and Side Panel (F) by using wood dowel.

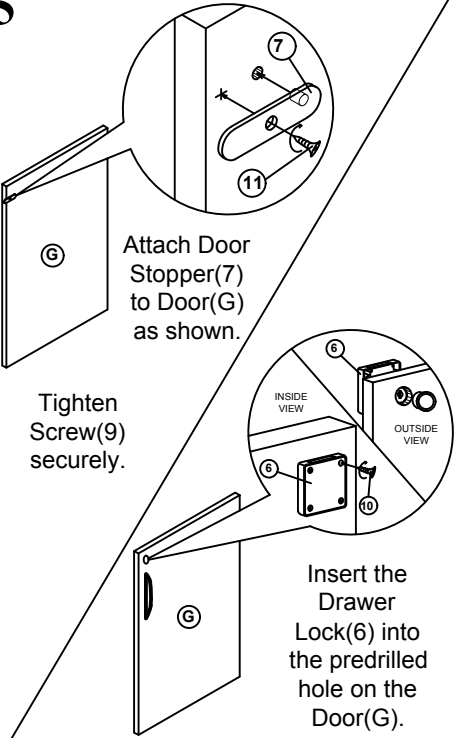
⚠ ATTENTION ⚠

Place all wooden parts on a clean, smooth surface to prevent them from being scratched.

Check to be sure that you have all parts and hardware. Remove all wrapping materials, including staples and packing straps before you start to assemble. Do not tighten all screws/bolts until all completely assembled. Keep all hardware parts out of reach of children. If any parts are missing, broken, damaged or worn, stop use of product until repairs have been made using factory authorized parts. Failure to follow these warnings may result in injury.

INSTRUCTIONS:

5



Attach Door Stopper(7) to Door(G) as shown.

Tighten Screw(9) securely.

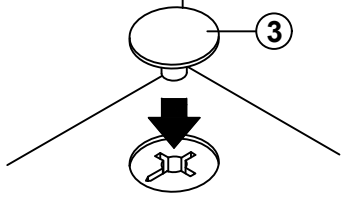
Insert the Drawer Lock(6) into the predrilled hole on the Door(G).

INSIDE VIEW

OUTSIDE VIEW

Diagram 5 shows a door labeled 'G' with two circular callouts. The top callout shows a door stopper (7) being attached to the door with a screw (9). The bottom callout shows a drawer lock (6) being inserted into a hole on the door, with 'INSIDE VIEW' and 'OUTSIDE VIEW' labels.

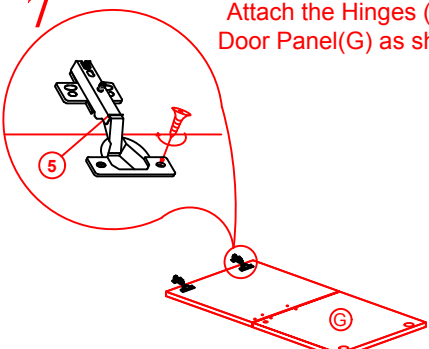
6



Attach Housing Cap(3) to all Klix Cams(2) by pushing neck thought center of cam.

Diagram 6 shows a housing cap (3) being pushed onto a Klix cam (2). A downward arrow indicates the direction of assembly.

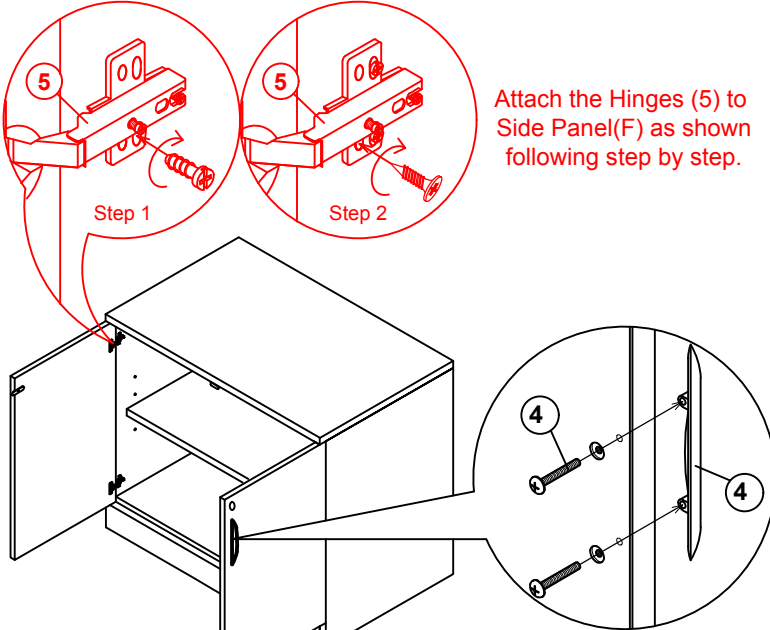
7



Attach the Hinges (5) to Door Panel(G) as shown.

Diagram 7 shows a hinge (5) being attached to a door panel (G). A red circle highlights the hinge and the door panel.

8



Attach the Hinges (5) to Side Panel(F) as shown following step by step.

Step 1

Step 2

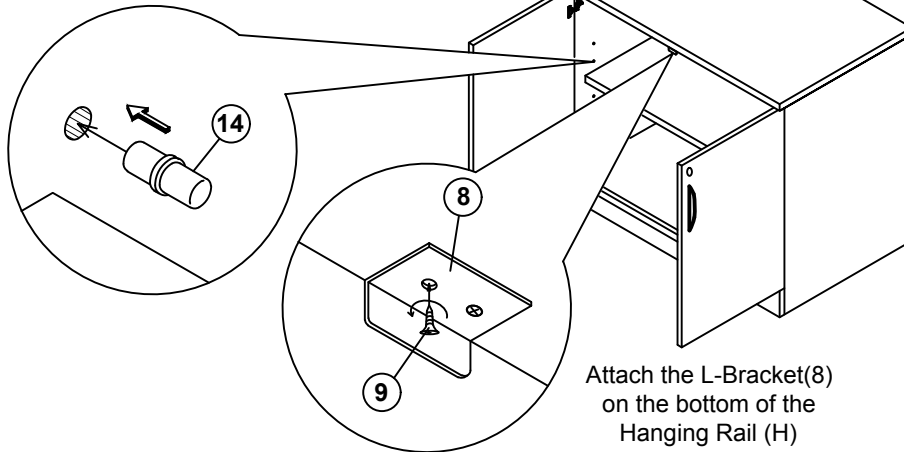
Attach the Handle(4) in front of the Door(G) and screw it from behind of the Door(G).

Diagram 8 shows a cabinet with two doors and a drawer. Two circular callouts show the hinge (5) being attached to the side panel (F) in two steps. The top callout shows the hinge being inserted into the side panel, and the bottom callout shows the hinge being secured with a screw. A larger callout shows a handle (4) being attached to the door (G) with a screw from the back.

INSTRUCTIONS:

9

Insert Shelf Support Pins(14) into the pre drilled holes and place Adjustable Shelf(C) at convenient distances.

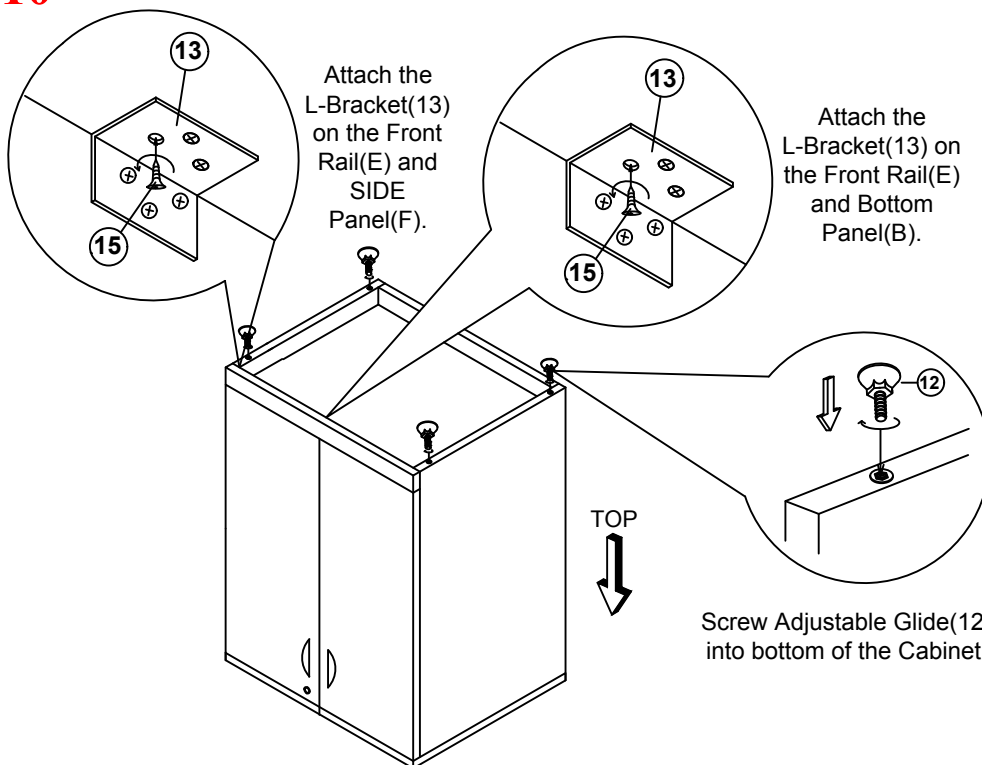


10

Attach the L-Bracket(13) on the Front Rail(E) and SIDE Panel(F).

Attach the L-Bracket(13) on the Front Rail(E) and Bottom Panel(B).


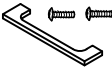





Screw Adjustable Glide(12) into bottom of the Cabinet.

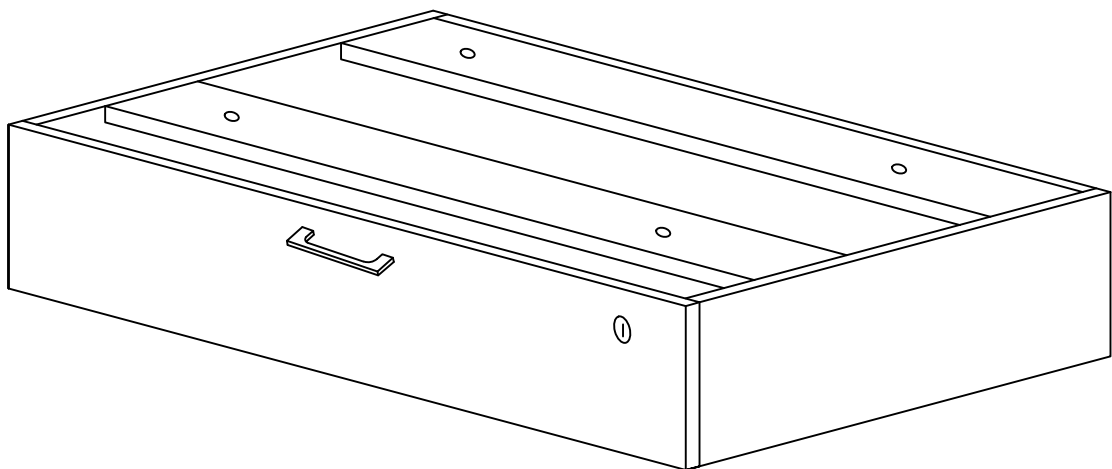
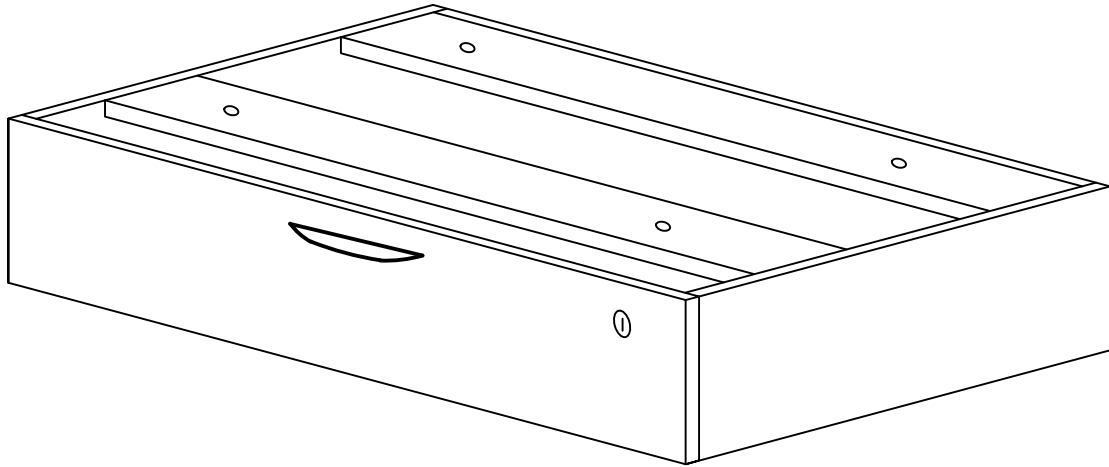


MODEL: PL272

Before assembly, please remove all parts from carton, verifying that you have the correct quantities, and read all the instructions.

IN THE CARTON:

<p>1</p>  <p>METAL SCALLOP SHAPE HANDLE 1 SET</p>	 <p>METAL HANDLE 1 SET FOR SLB COLOR</p>	<p>2</p>  <p>JCBC SCREW M6 x 40MM = 4PCS WASHER = 4PCS</p>	<p>3</p>  <p>M4 x 65 ALLEN-KEY 1 Pc</p>	<p>4</p>  <p>L-BRACKET 1 Pc</p>	<p>5</p>  <p>SCREW #3.5 x 12MM 2 PCS</p>
<p>6</p>  <p>KEYS 1 SET</p>					



MODEL: PL272

INSTRUCTION:

1

REMOVE DRAWER FROM MODULAR BUFFET. FULLY OPEN DRAWER. WHERE FIRST SLIDE MEETS SECOND SLIDE THERE IS A SMALL CLIP. PULL THE CLIP ON THE LEFT HAND SLIDE UP, PUSH THE CLIP ON THE RIGHT HAND SLIDE DOWN. PULL DRAWER OUT.

2 MODULAR BUFFET CASE TO UNDERSIDE OF WORKSURFACE BY USING JCBC SCREW (2)

3 ATTACH THE L-BRACKET(4) ON THE BOTTOM OF THE TOP PANEL.

4

ATTACH HANDLE(1) TO THE DRAWER FRONT AND SCREW IT FROM BEHIND DRAWER FRONT.

⚠ ATTENTION ⚠

Place all wooden parts on a clean, smooth surface to prevent them from being scratched. Check to be sure that you have all parts and hardware. Remove all wrapping materials, including staples and packing straps before you start to assemble. Do not tighten all screws/bolts until all completely assembled. Keep all hardware parts out of reach of children. If any parts are missing, broken, damaged or worn, stop use of product until repairs have been made using factory authorized parts. Failure to follow these warnings may result in injury.