

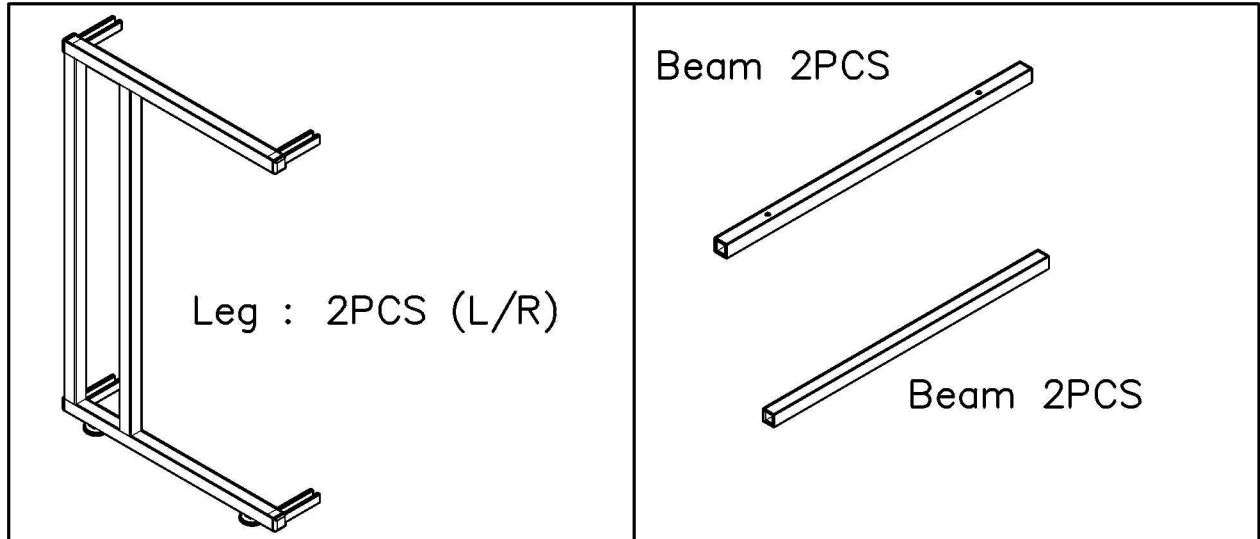


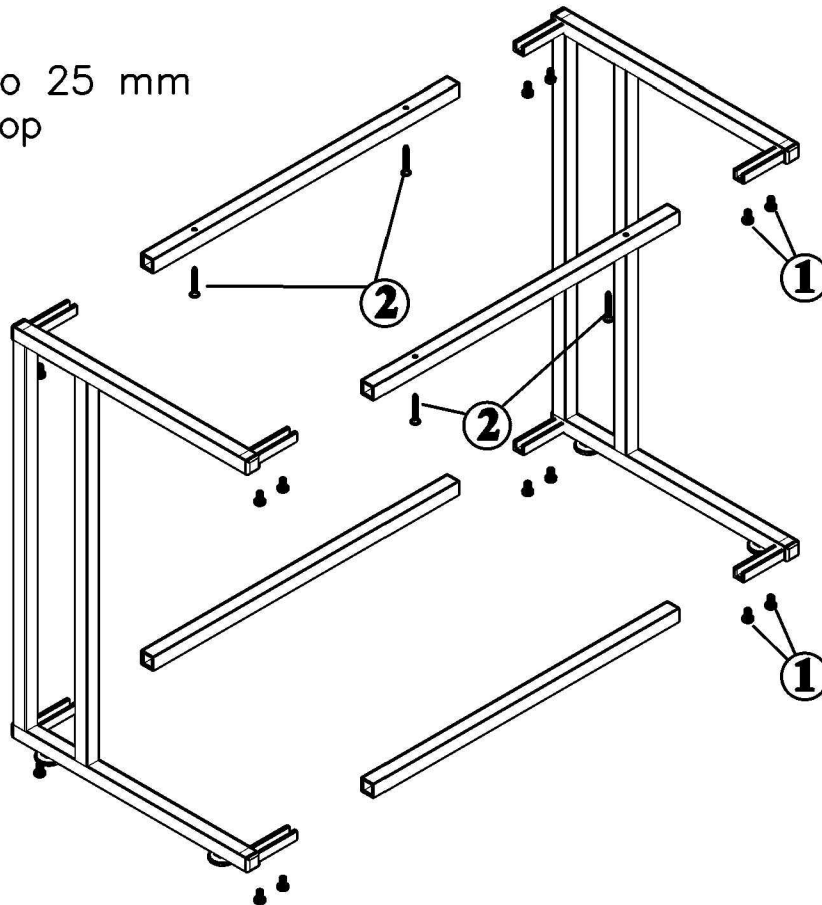
# ASSEMBLY INSTRUCTION FOR K/D LAPTOP TABLE FRAME

## HARDWARE

<b>1</b>		Bolts M6 x 12mm	16 pcs
<b>2</b>		Wood Screw M4 x 35 mm	4 pcs



**2** For Fasten to 25 mm Worktop



### IMPORTANT NOTE :

- \* Place all metal parts on a clean, smooth surface to prevent the parts from being scratched.
- \* Check that you have all parts and hardware.
- \* Remove all wrapping materials including staples & packing straps before you start to assemble.
- \* Do not tighten any screws or bolts until the unit is completely assembled.
- \* Keep all hardware parts out of reach of children.