

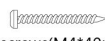









ASSEMBLY INSTRUCTIONS
GBM1769WHITE-A1

Glass board Installation instructions for wall

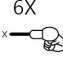
Thank you for purchasing the Magnetic Glass Board from Performance Office Furnishings.
Before assembly, please remove all parts from the carton and verify that you have correct quantities.

A  X 1	B  X 6 drywall anchor(30mm) (extra 2pcs as spare)	C  X 6 screws(M4*40mm)
D  X 6 spacer base(φ 18*h23mm)	E  X 6 screws(5/16"*30mm)	F  X 12 plastic washer(φ 16mm)
G  X 6 plastic sleeve(φ 10mm)	H  X 6 spacer bolt(φ 18*h10mm)	I  X 1 pen tray(450mm)

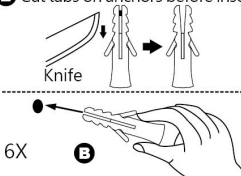
1 ATTENTION:
Drill size 15/64" (6mm)



6X




2 Cut tabs on anchors before insert

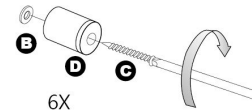


Knife

6X

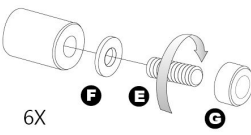


3



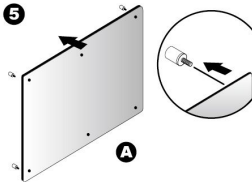
6X

4



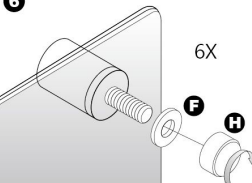
6X

5



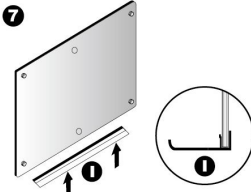
A

6



6X


7



I

magnets

X4











(φ 30mm) *Size tolerance is +/-2MM


ASSEMBLY INSTRUCTIONS
GBM1769WHITE-A1

Glass board Installation instructions for hutch

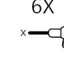
Thank you for purchasing the Magnetic Glass Board from Performance Office Furnishings.
Before assembly, please remove all parts from the carton and verify that you have correct quantities.

A  X 1	B  X 6 Screw For Hutch screws(M4*24.5mm)	C  X 6 spacer base(φ 18*h23mm)
D  X 6 screws(5/16"*30mm)	E  X 12 plastic washer(φ 16mm)	F  X 6 plastic sleeve(φ 10mm)
G  X 6 spacer bolt(φ 18*h10mm)	H  X 1 pen tray(450mm)	

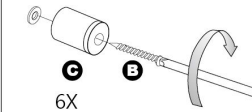
1



6X

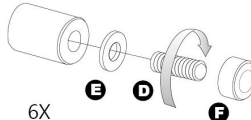


2



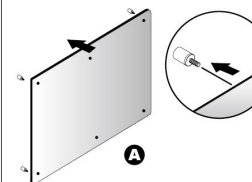
6X

3



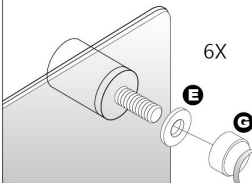
6X

4



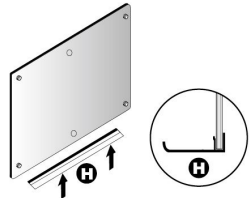
A

5



6X


6



H

magnets

X4



(φ 30mm) *Size tolerance is +/-2MM