

210X297MM












ASSEMBLY INSTRUCTIONS

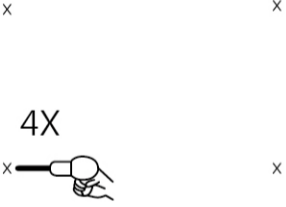
GBM2436WHITE / GBM3648WHITE

Glass board Installation instructions for wall

Thank you for purchasing the Magnetic Glass Board from Performance Office Furnishings.
Before assembly, please remove all parts from the carton and verify that you have correct quantities.

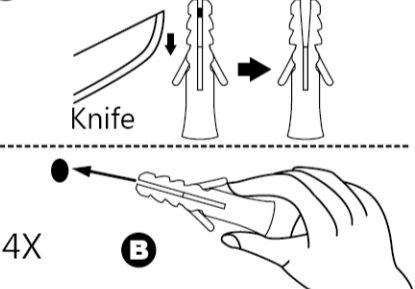
<p>A  X 1</p>	<p>B  X 4 drywall anchor(30mm) (extra 2pcs as spare)</p>	<p>C  X 4 screws(M4*40mm)</p>
<p>D  X 4 spacer base(ϕ 18*h23mm)</p>	<p>E  X 4 screws(5/16"*30mm)</p>	<p>F  X 8 plastic washer(ϕ 16mm)</p>
<p>G  X 4 plastic sleeve(ϕ 10mm)</p>	<p>H  X 4 spacer bolt(ϕ 18*h10mm)</p>	<p>I  X 1 pen tray(450mm)</p>

1 ATTENTION:
Drill size 15/64" (6mm)



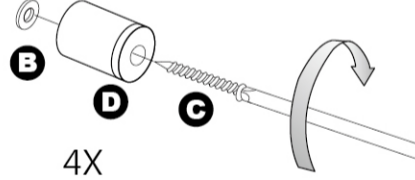
4X

2 Cut tabs on anchors before insert



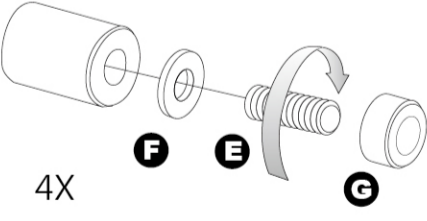
4X **B**

3



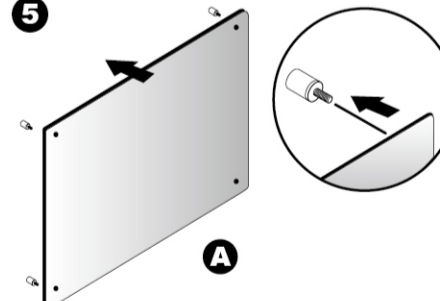
4X

4



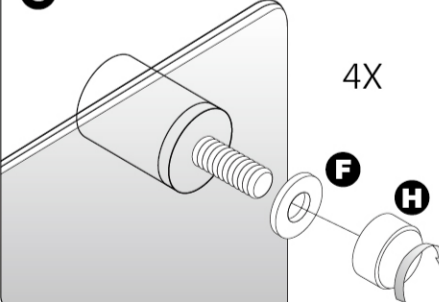
4X

5



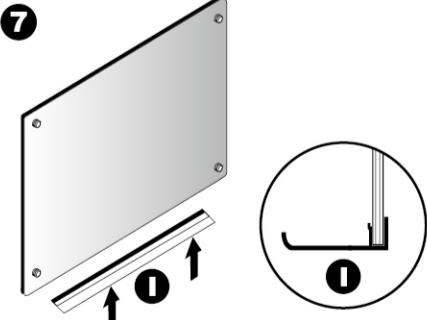
A

6




4X

7



I



magnets

X4 (ϕ 30mm)

*Size tolerance is +/-2MM