



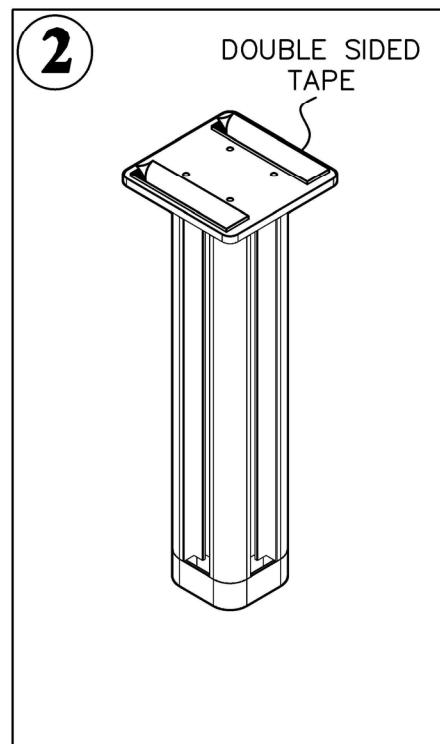
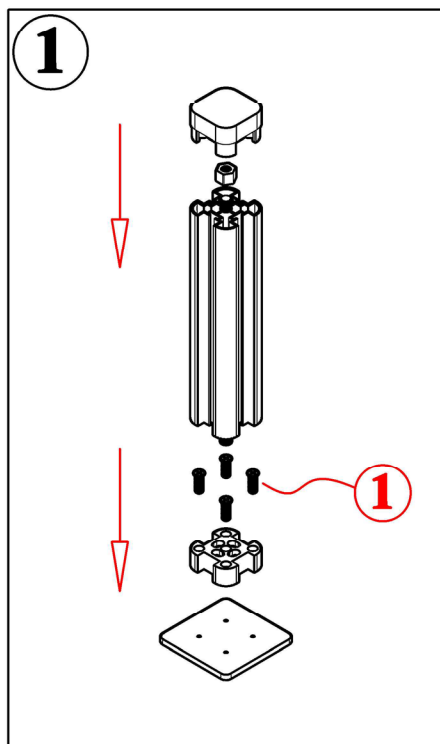
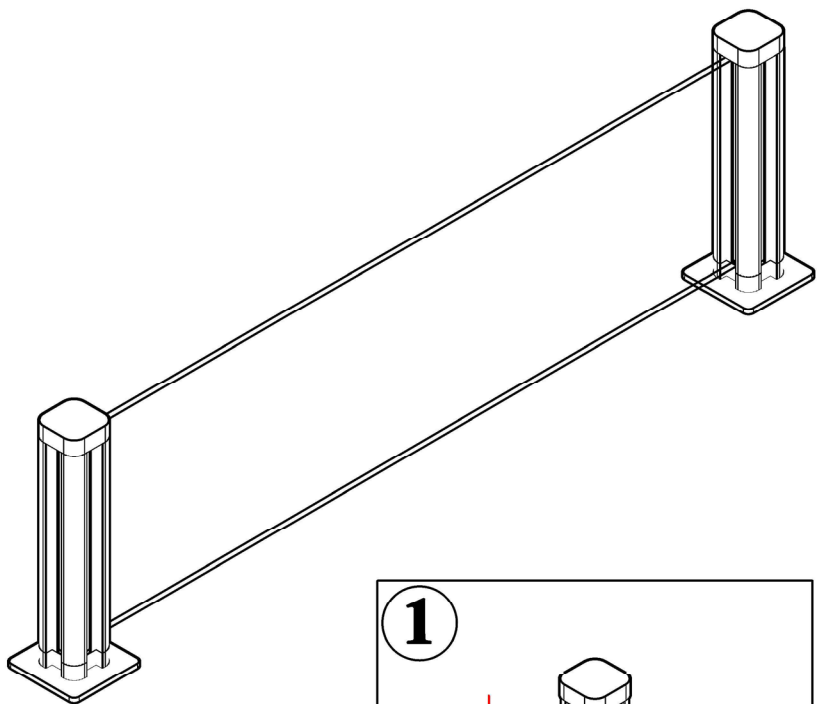
ASSEMBLY INSTRUCTIONS

MODEL: PBPPLATES

Before assembly, please remove all parts from the carton, verifying that you have the correct quantities, and read all the instructions.

PART LIST

1		ØM4 x 16 CSK SCREW	4 pcs
2		75x75xT4.0MM FLAT BRACKET	1 pc



1. Attach and screw in all the parts as shown as in step 1
2. Remove the top plastic cap and slot in the panel into the aluminium profile and close it back once the panels is in place
3. Peel the double sided tape and place the Post Plate Mount on the table

⚠ ATTENTION ⚠

Ensure all bolts and screws are tightened, check bolts and screws every 6 months.
If any parts are missing, broken, damaged or worn, stop use of product until repairs have been made using factory authorized parts.
Failure to follow these warnings may result in injury.