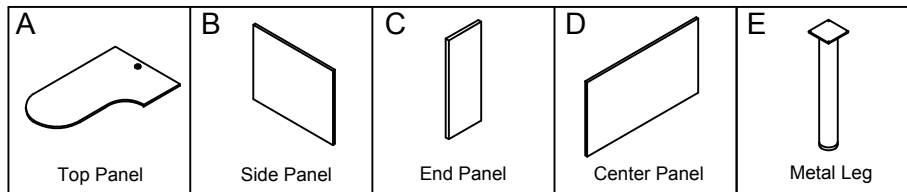
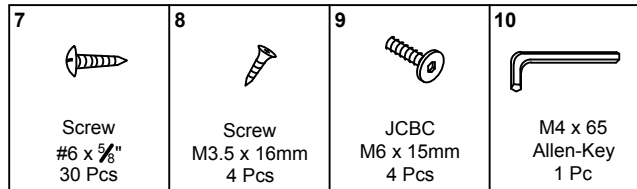
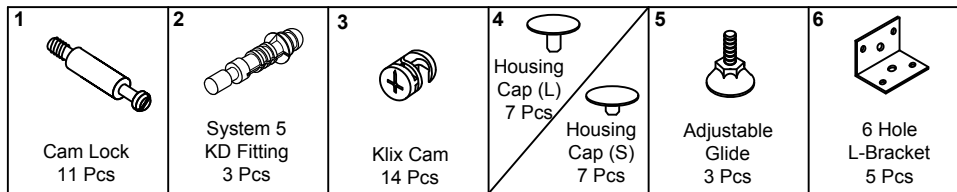
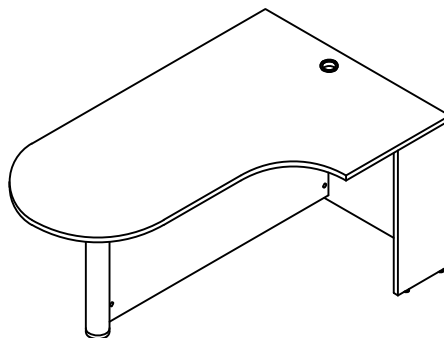
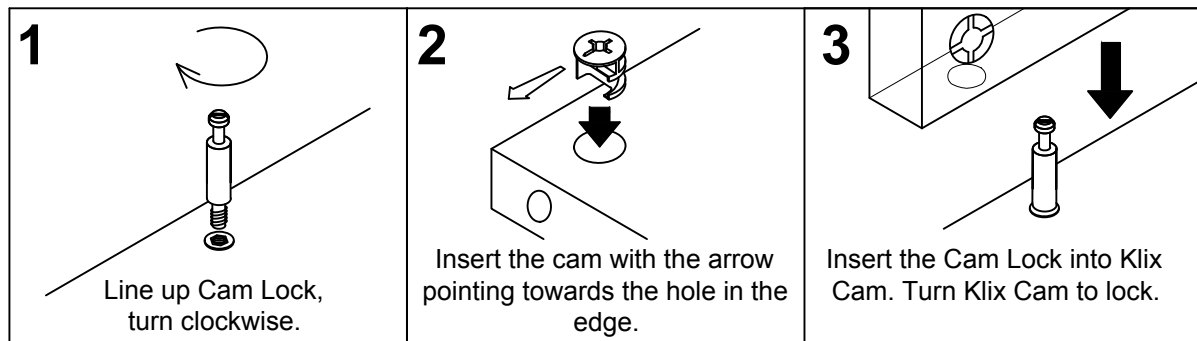


Thank you for purchasing the Performance Porkchop Bullet.
Please follow these instructions for easy assembly.



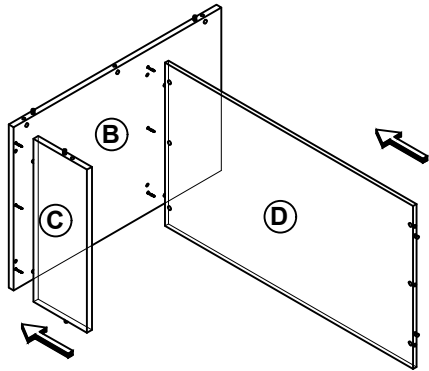
KLIX CAM INSTRUCTIONS



IMPORTANT NOTE :

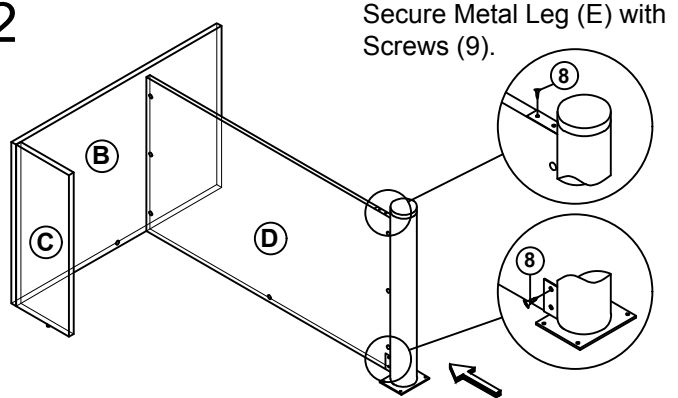
- Place all wooden parts on a clean and smooth surface such as a rug or carpet to avoid the parts from being scratched.
- Check to be sure that you have all parts and hardware.
- Remove all wrapping materials, including staples & packing straps before you start to assemble.
- Do not tighten all screws/bolts until all completely assembled.
- Keep all hardware parts out of reach of children.

1



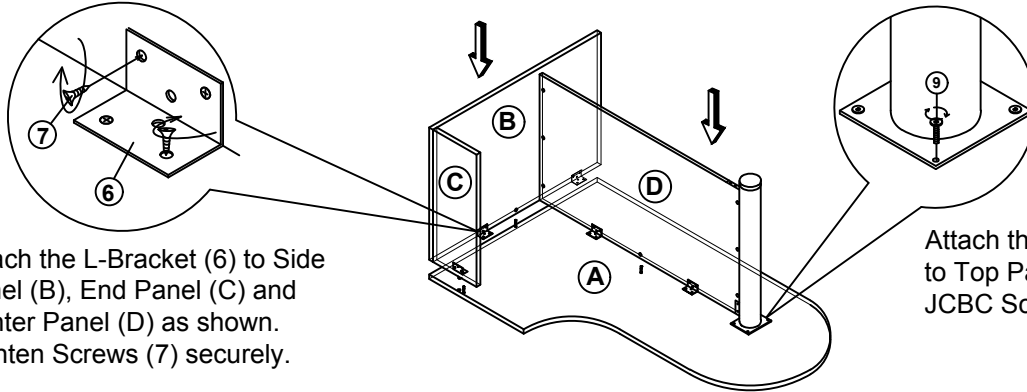
Attach the Center Panel (D) and End Panel (C) to Side Panel (B) by using Cam Lock (1) and Klix Cam (3).

2



Attach the Metal Leg (E) to Center Panel (D) by using System 5 KD Fitting (2) and Klix Cam (3).

3

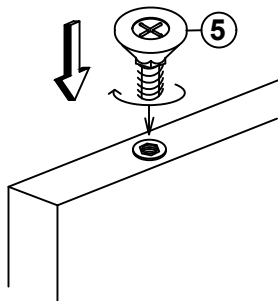


Attach the L-Bracket (6) to Side Panel (B), End Panel (C) and Center Panel (D) as shown. Tighten Screws (7) securely.

Attach the Metal Leg (D) to Top Panel (A) by using JCBC Screws (10).

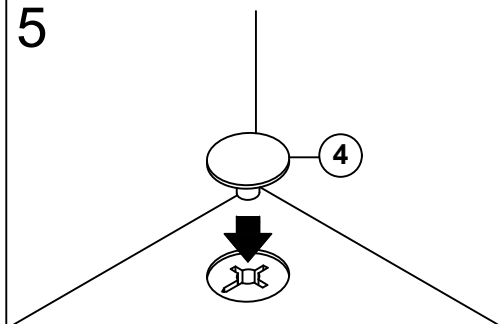
Attach the body to Top Panel (A) by using Cam Lock (1) and Klix Cam (3).

4



Screw Adjustable Glide (5) into bottom of Side Panel (B) and End Panel (C).

5



Attach Housing Cap (4) to all Klix Cam (3) by pushing neck through center of cam.