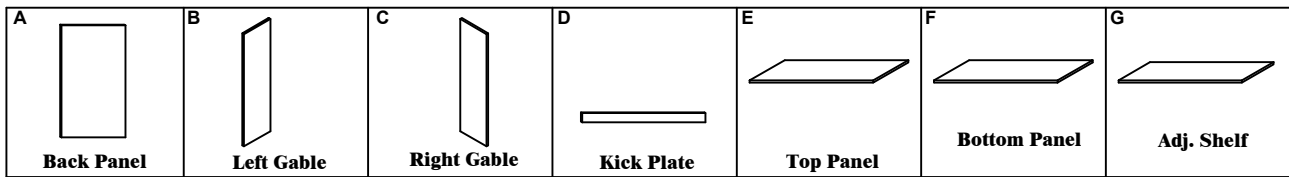
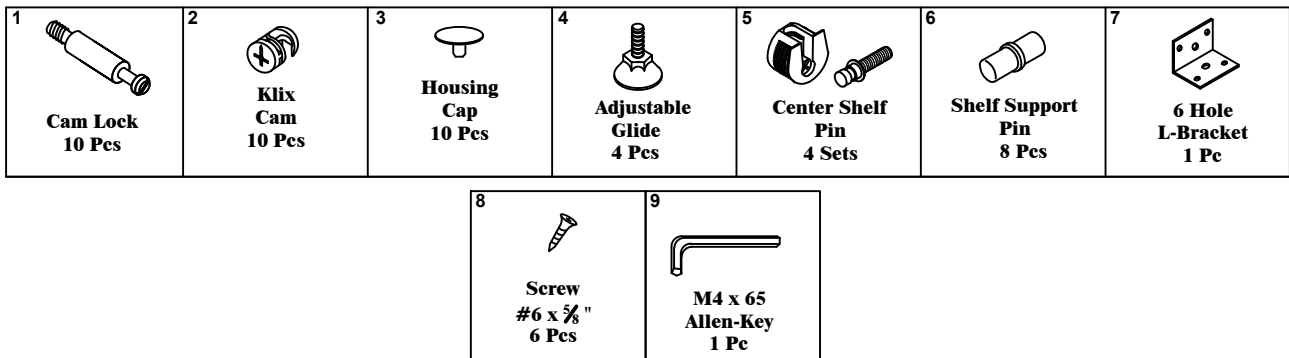
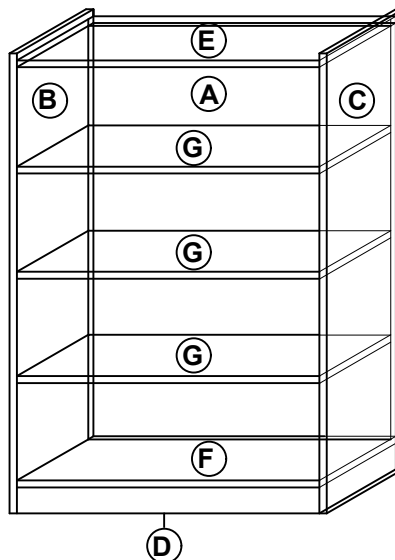
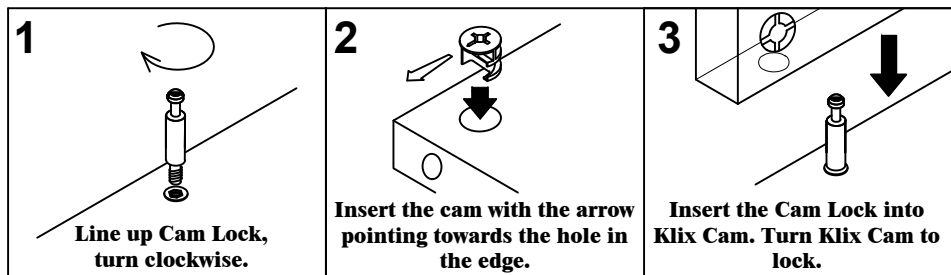


**Thank you for purchasing the Performance 5 Adjustable Shelf Bookcase.
Please follow these instructions for easy assembly.**



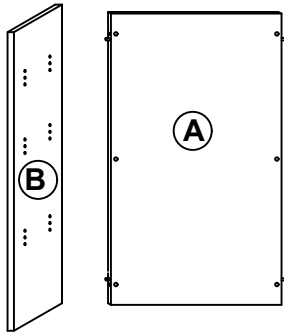
KLIX CAM INSTRUCTIONS



IMPORTANT !!

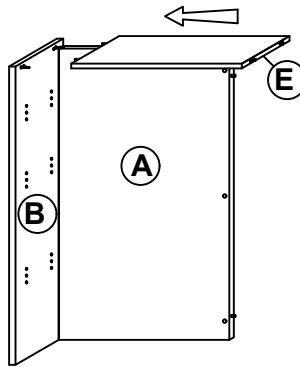
- Place all wooden parts on a clean and smooth surface such as a rug or carpet to avoid the parts from being scratched.
- Check that you have all parts and hardware.
- Remove all wrapping materials, including staples & packing straps before you start to assemble.
- Do not tighten any screws or bolts until the unit is completely assembled.
- Keep all hardware parts out of reach of children.

1



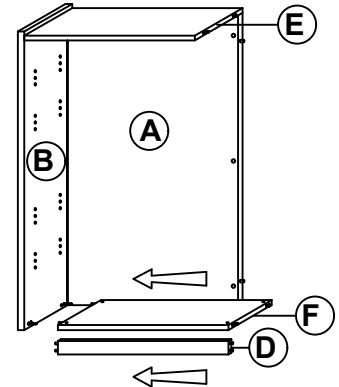
Attach Back Panel(A) to Left Gable(B).

2



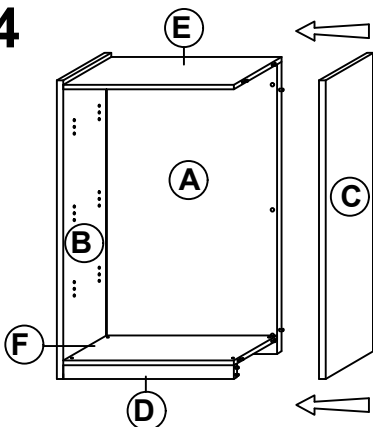
Attach Top Panel(E) to Left Gable(B) and Back Panel(A).

3



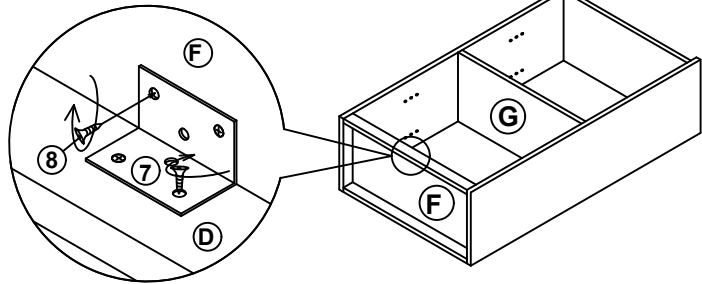
Attach Kick Plate(D) and Bottom Panel(F) to Left Gable(B).

4



Attach Right Gable(C) to Back Panel(A), Top Panel(E), Bottom Panel(F) and Kick Plate(D).

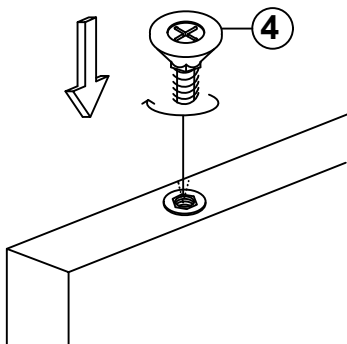
5



Lie Bookcase on its Back. Attach L-Bracket(7) to Bottom Panel(F) and Kick Plate(D) as shown. Tighten Screws(8) securely.

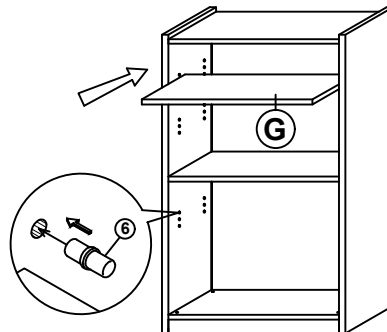
Place Adj. Shelf(G) in center of bookcase. Fastens with Center Shelf Locking Pins (5).

6



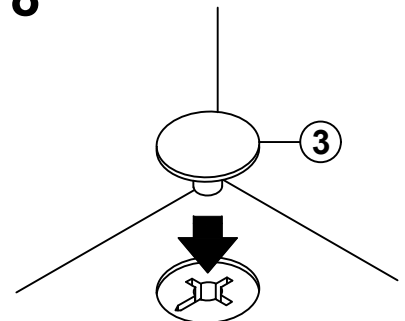
Screw Adjustable Glide(4) into bottom of Left Gable(B) and Right Gable(C).

7



Insert Shelf Support Pins(6) into the pre drilled holes and place Adjustable Shelves(G) at convenient distances.

8



Attach Housing Cap(3) to all Klix Cams(2) by pushing neck through center of cam.