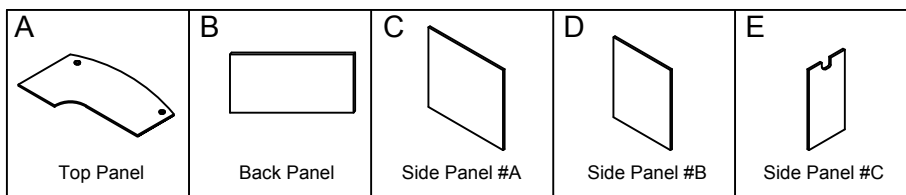
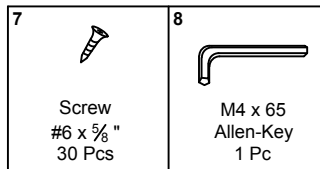
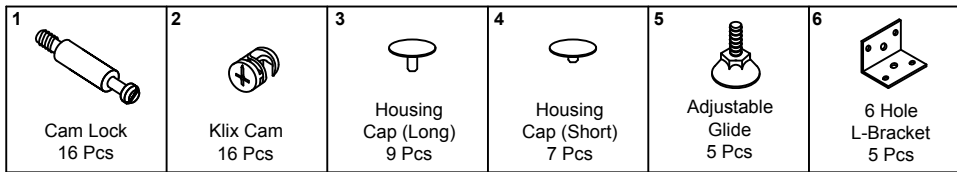
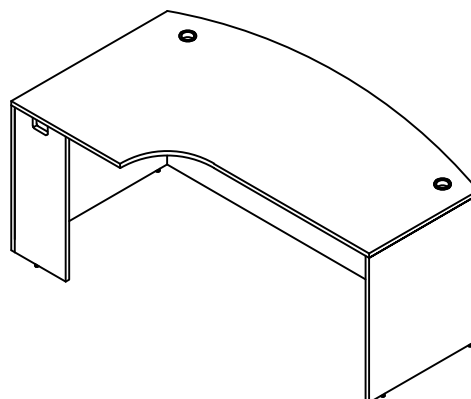
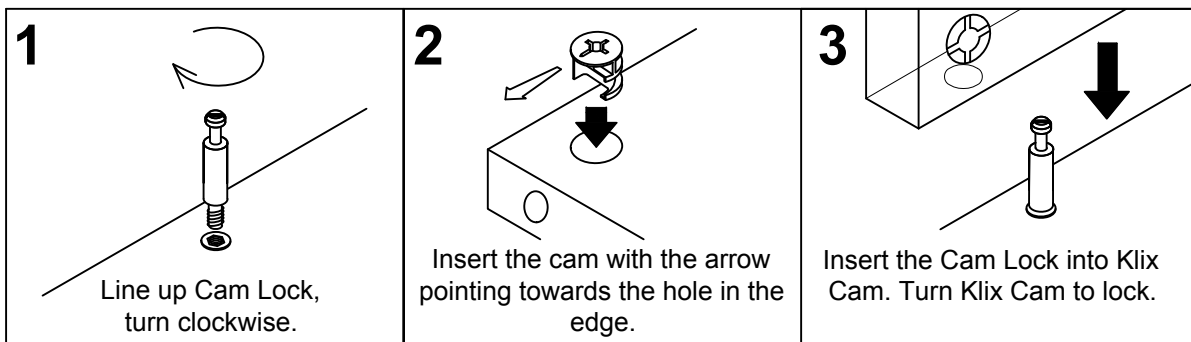


Thank you for purchasing the Performance Bow Front Pork Chop Desk.
Please follow these instructions for easy assembly.



KLIX CAM INSTRUCTIONS



IMPORTANT !!

Place all wooden parts on a clean and smooth surface such as a rug or carpet to avoid the parts from being scratched.

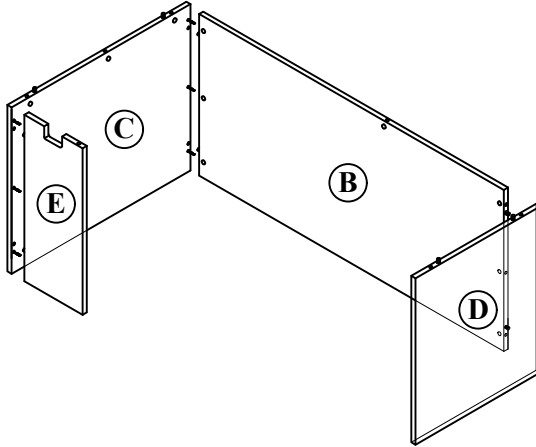
Check that you have all parts and hardware.

Remove all wrapping materials, including staples & packing straps before you start to assemble.

Do not tighten any screws or bolts until the unit is completely assembled.

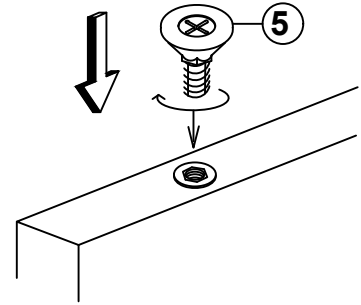
Keep all hardware parts out of reach of children.

1



Attach the 3 Side Panel (C,D,E) to the Back Panel (B) by using Cam Lock (1) and Klix Cam (2)

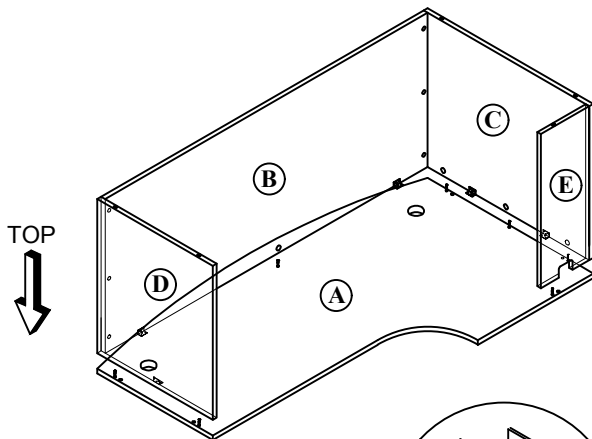
3



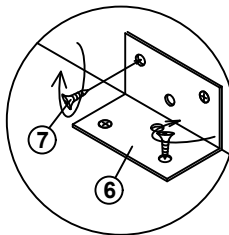
Screw Adjustable Glide(5) into bottom of Side Panel.

2

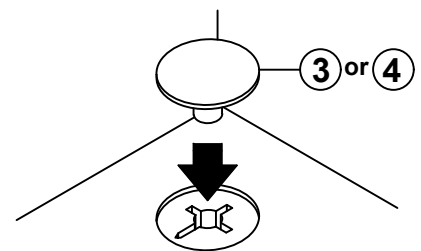
Attach Back Panel(B) and 3 Side Panel(C,D,E) to the Top Panel(A) by using Cam Lock(1) and Klix Cam(2).



Attach the L-Bracket(6) to Top Panel(A), Back Panel(B) and Side Panel(C,D) as shown. Tighten Screw(7) securely.



4



Attach Housing Cap(3 or 4) to all Klix Cam(2) by pushing neck thought center of cam.