






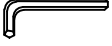

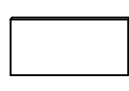
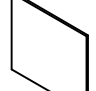
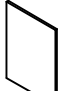
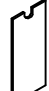
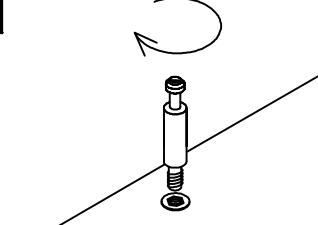
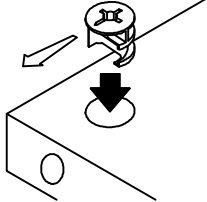
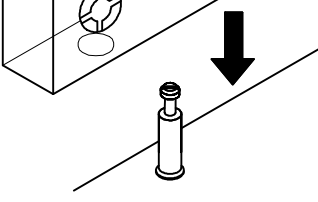


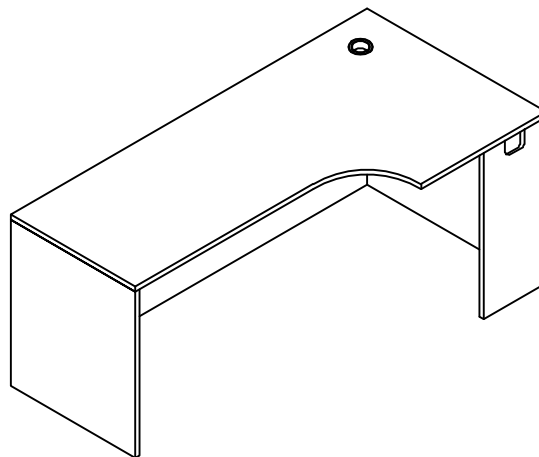
Thank you for purchasing the Performance Porkchop Credenza.  
Please follow these instructions for easy assembly.

1  Cam Lock 16 Pcs	2  Klix Cam 16 Pcs	3  Housing Cap (Long) 9 Pcs	4  Housing Cap (Short) 7 Pcs	5  Adjustable Glide 5 Pcs	6  6 Hole L-Bracket 5 Pcs	7  Screw #8 x 3/8" 30 Pcs	8  M4 x 85 Allen-Key 1 Pc
--	--	--	---	--	--	--	--

A  Top Panel	B  Back Panel	C  Side Panel #A	D  Side Panel #B	E  Side Panel #C
---	--	---	--	---

**KLIX CAM INSTRUCTIONS**

1  Line up Cam Lock, turn clockwise.	2  Insert the cam with the arrow pointing towards the hole in the edge.	3  Insert the Cam Lock into Klix Cam. Turn Klix Cam to lock.
---	--	--



**IMPORTANT !!**

- Place all wooden parts on a clean and smooth surface such as a rug or carpet to avoid the parts from being scratched.
- Check that you have all parts and hardware.
- Remove all wrapping materials, including staples & packing straps before you start to assemble.
- Do not tighten any screws or bolts until the unit is completely assembled.
- Keep all hardware parts out of reach of children.

