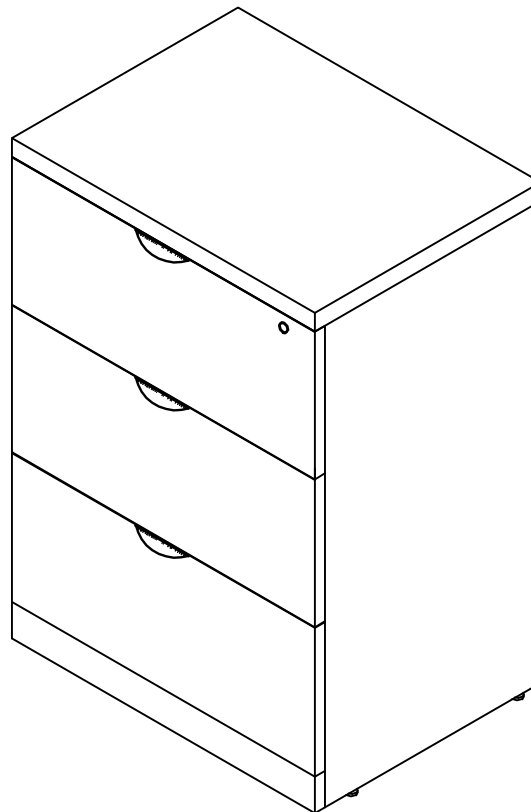
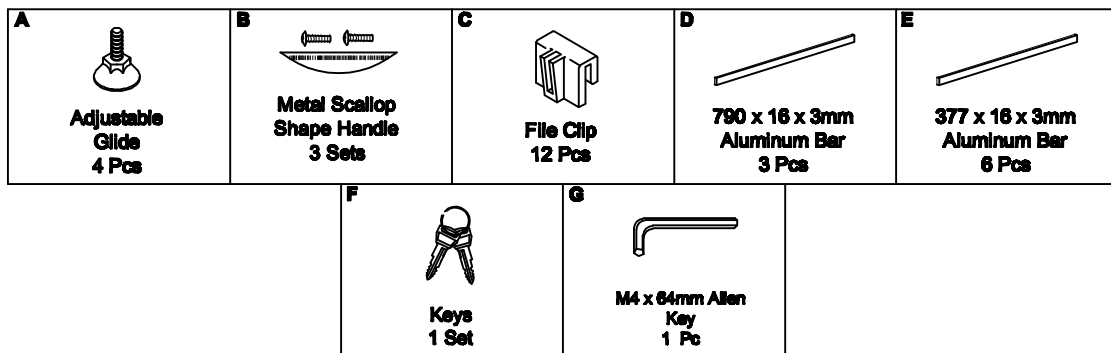


**PL 183GG-A1
3 DRAWER LATERAL FILE**

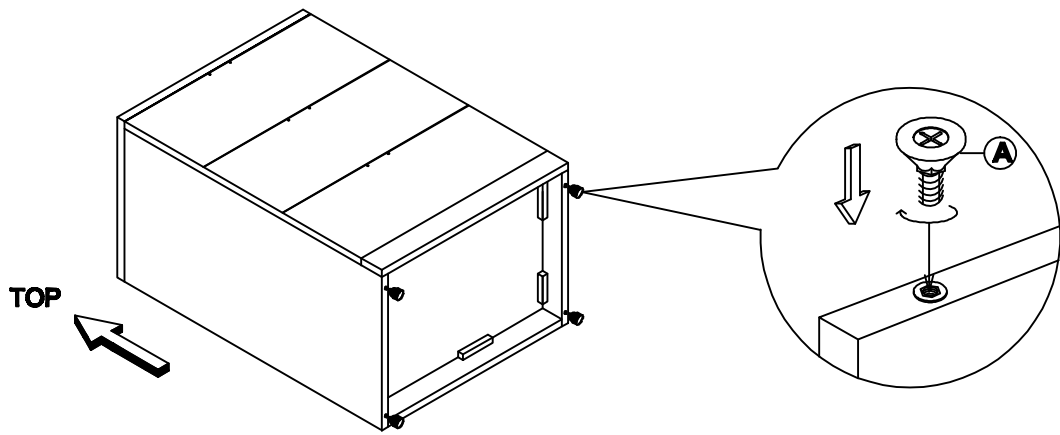
Thank you for purchasing the Performance 3 Drawer Lateral File.
Please follow these instructions for easy assembly.



IMPORTANT !!

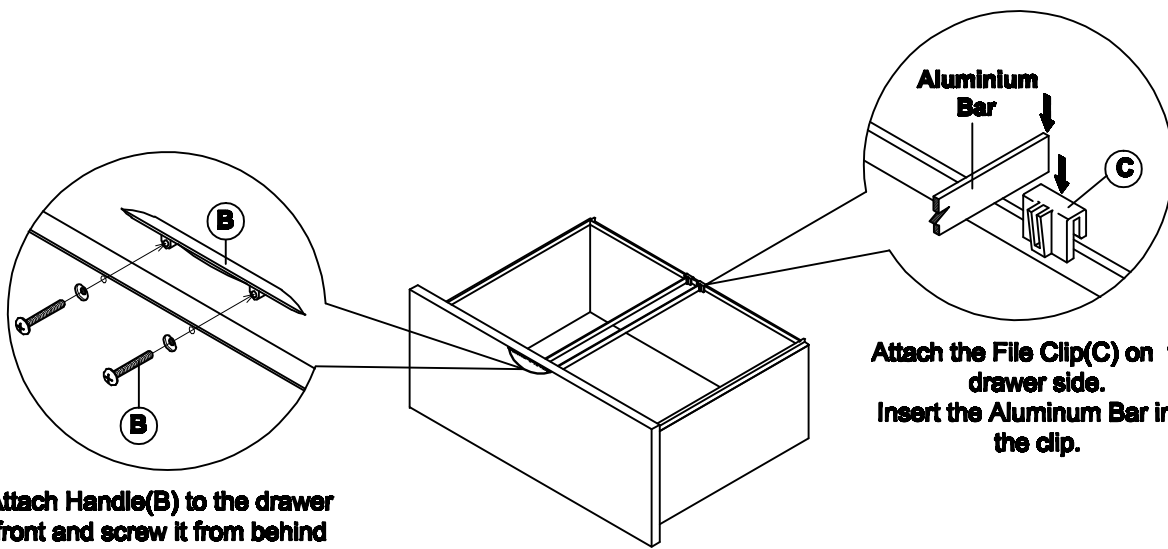
- Place all wooden parts on a clean and smooth surface such as a rug or carpet to avoid the parts from being scratched.
- Check that you have all parts and hardware.
- Remove all wrapping materials, including staples & packing straps before you start to assemble.
- Do not tighten any screws or bolts until the unit is completely assembled.
- Keep all hardware parts out of reach of children.

1



Screw Adjustable Glide(A) into bottom of Side Panel.

2



Attach Handle(B) to the drawer front and screw it from behind drawer front.

**Attach the File Clip(C) on the drawer side.
Insert the Aluminum Bar into the clip.**