






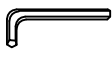
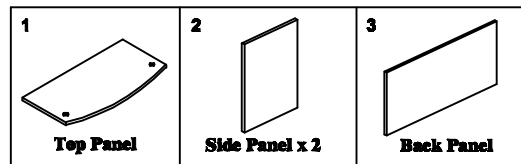
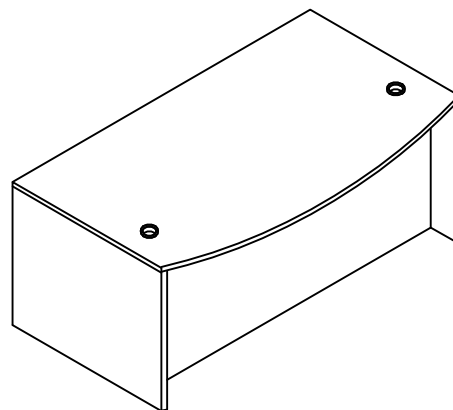
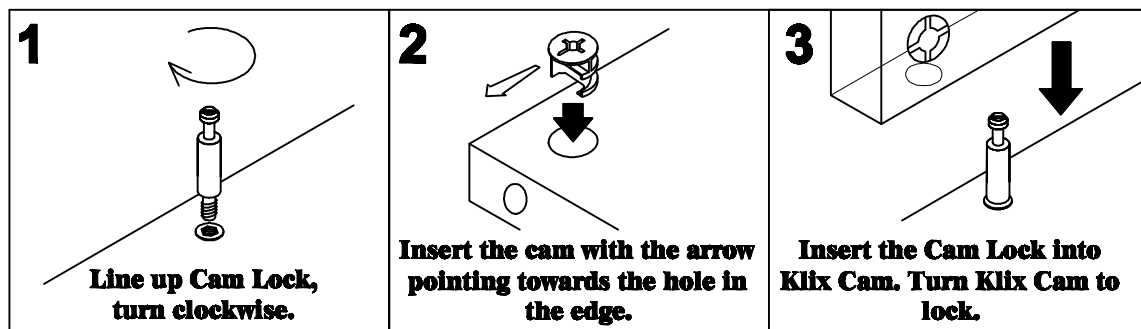


**Thank you for purchasing the Performance Curved Top Desk.  
Please follow these instructions for easy assembly.**

<p><b>A</b></p>  <p><b>Cam Lock</b> 11 Pcs</p>	<p><b>B</b></p>  <p><b>Klix Cam</b> 11 Pcs</p>	<p><b>C</b></p>  <p><b>Housing Cap (Long)</b> 4 Pcs</p>	<p><b>D</b></p>  <p><b>Housing Cap (Short)</b> 7 Pcs</p>	<p><b>E</b></p>  <p><b>Adjustable Glide</b> 4 Pcs</p>	<p><b>F</b></p>  <p><b>6 Hole L-Bracket</b> 5 Pcs</p>	<p><b>G</b></p>  <p><b>Screw</b> #6 x 5/8"  30 Pcs</p>	<p><b>H</b></p>  <p><b>M4 x 65 Allen-Key</b> 1 Pc</p>
---	---	--	---	--	--	---	--



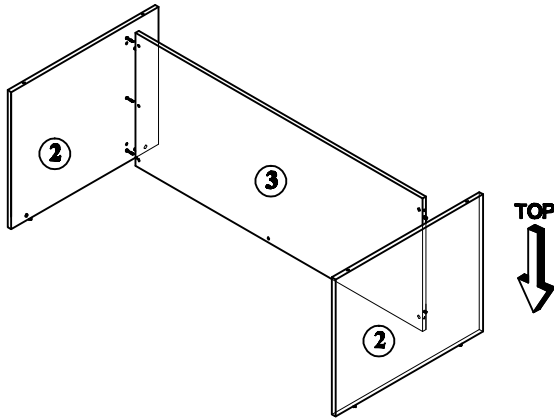
**KLIX CAM INSTRUCTIONS**



**IMPORTANT !**

- Place all wooden parts on a clean and smooth surface such as a rug or carpet to avoid the parts from being scratched.
- Check that you have all parts and hardware.
- Remove all wrapping materials, including staples & packing straps before you start to assemble.
- Do not tighten any screws or bolts until the unit is completely assembled.
- Keep all hardware parts out of reach of children.

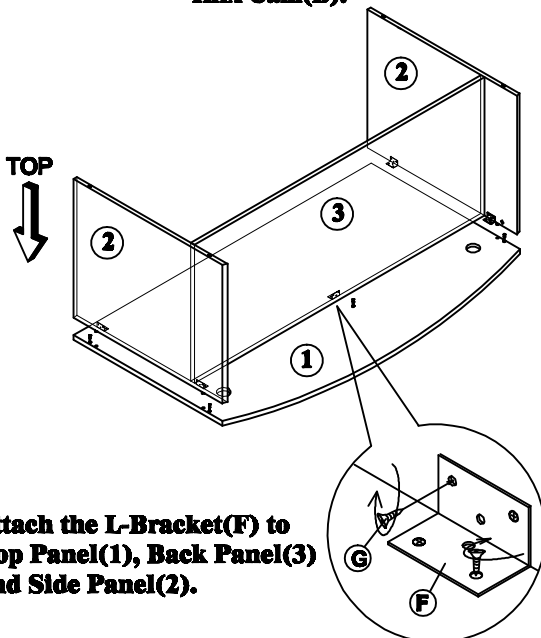
1



Attach Back Panel (3) to Left(2) and Right Side Panel(2) by using Cam Lock(A) and Klix Cam(B).

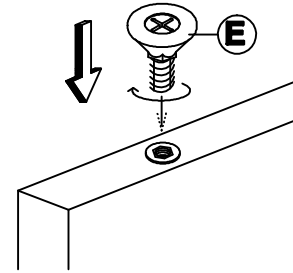
2

Attach Back Panel (3) and Side Panels (2) to Top Panel (1) by using Cam Lock(A) and Klix Cam(B).



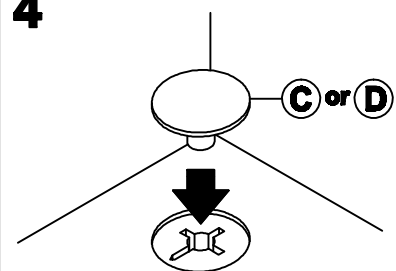
Attach the L-Bracket(F) to Top Panel(1), Back Panel(3) and Side Panel(2).

3



Screw Adjustable Glide(E) into bottom of Side Panel.

4



Attach Housing Cap(C) or (D) to all Klix Cam(2) by pushing neck thought center of cam.