






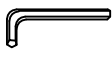
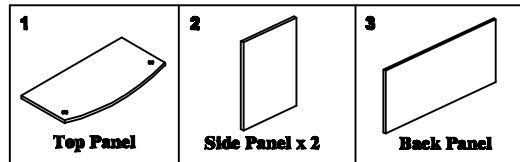


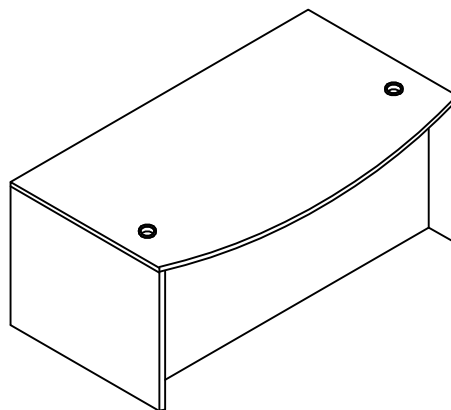
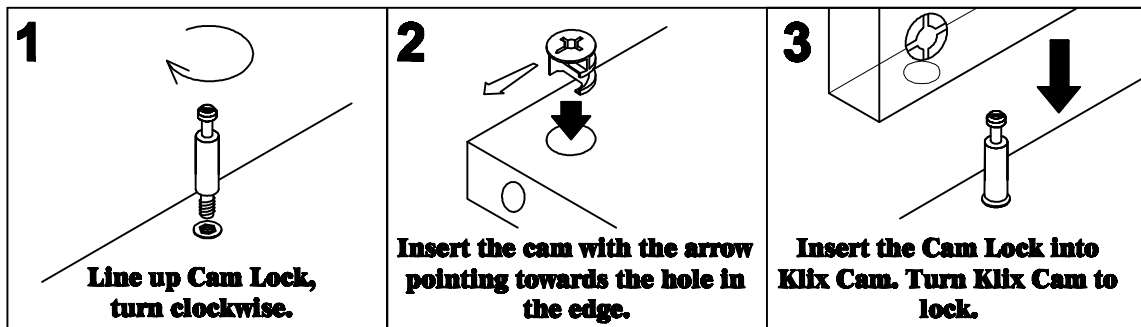
**PL 189GG
CURVED TOP DESK**

**Thank you for purchasing the Performance Curved Top Desk.
Please follow these instructions for easy assembly.**

A  Cam Lock 13 Pcs	B  Klix Cam 13 Pcs	C  Housing Cap (Long) 6 Pcs	D  Housing Cap (Short) 7 Pcs	E  Adjustable Glide 4 Pcs	F  6 Hole L-Bracket 5 Pcs	G  Screw #6 x 1/2" 30 Pcs	H  M4 x 65 Allen-Key 1 Pc
---	---	--	---	--	--	---	--



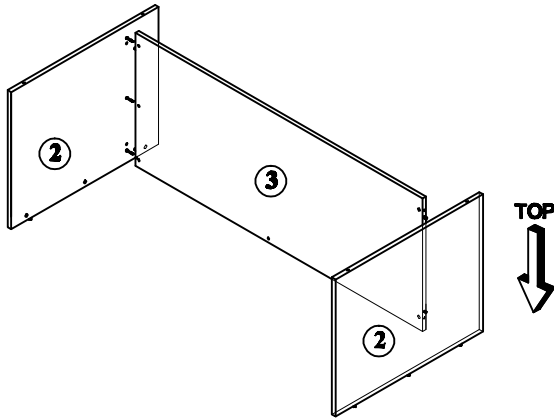
KLIX CAM INSTRUCTIONS



IMPORTANT !

- Place all wooden parts on a clean and smooth surface such as a rug or carpet to avoid the parts from being scratched.
- Check that you have all parts and hardware.
- Remove all wrapping materials, including staples & packing straps before you start to assemble.
- Do not tighten any screws or bolts until the unit is completely assembled.
- Keep all hardware parts out of reach of children.

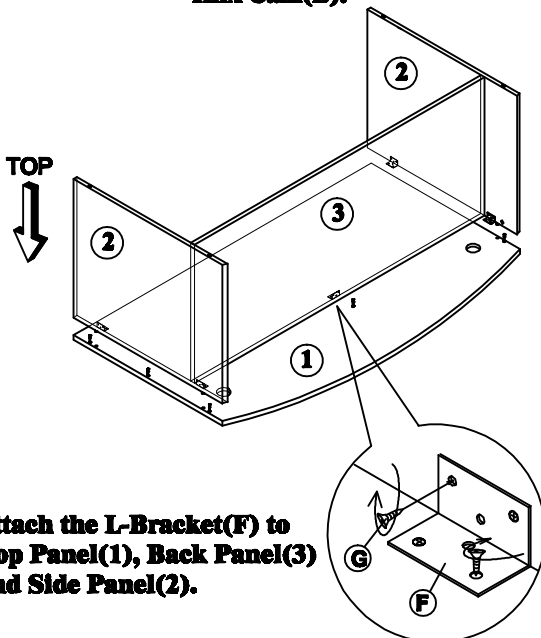
1



Attach Back Panel (3) to Left(2) and Right Side Panel(2) by using Cam Lock(A) and Klix Cam(B).

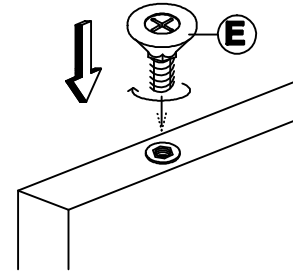
2

Attach Back Panel (3) and Side Panels (2) to Top Panel (1) by using Cam Lock(A) and Klix Cam(B).



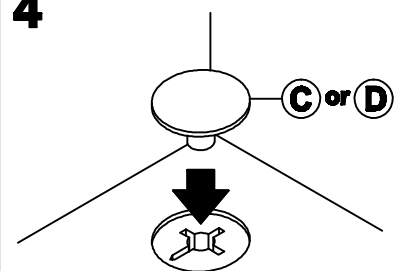
Attach the L-Bracket(F) to Top Panel(1), Back Panel(3) and Side Panel(2).

3



Screw Adjustable Glide(E) into bottom of Side Panel.

4



Attach Housing Cap(C) or (D) to all Klix Cam(2) by pushing neck thought center of cam.