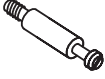



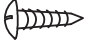




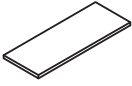
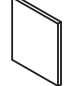
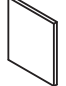
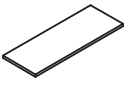


## MODEL: PL2044OH

### OPEN HUTCH - WALL MOUNT

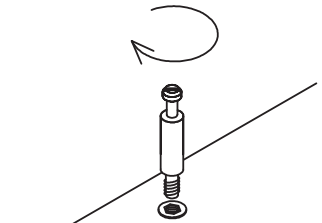
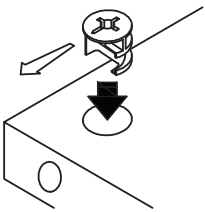
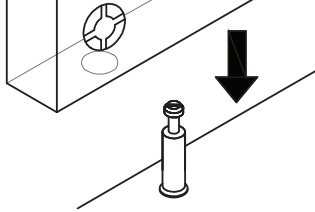
#### HARDWARE:

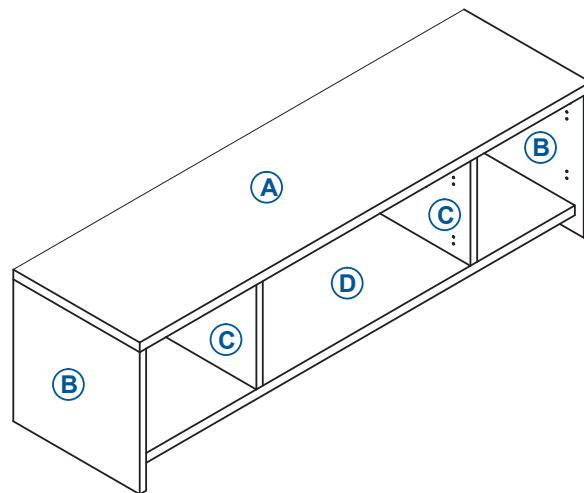
<p><b>1</b></p>  <p>Cam Lock 22 Pcs</p>	<p><b>2</b></p>  <p>Klix Cam 22 Pcs</p>	<p><b>3</b></p>  <p>Housing Cap (Long) 18 Pcs</p>	<p><b>4</b></p>  <p>Housing Cap (Short) 4 Pcs</p>	<p><b>5</b></p>  <p>Pan Head Screw M9 x 25mm 14 Pcs</p>	<p><b>6</b></p>  <p>M4 Allen Key 1 Pc</p>	<p><b>7</b></p>  <p>Ø5mm Hole Plug 16 Pcs</p>
--	--	--	--	---	--	--

#### COMPONENTS:

<p><b>A</b></p>  <p>Top Panel</p>	<p><b>B</b></p>  <p>Side Panel x 2</p>	<p><b>C</b></p>  <p>Center Panel x 2</p>	<p><b>D</b></p>  <p>Bottom Panel</p>	<p><b>E</b></p>  <p>Back Panel</p>	<p><b>F</b></p>  <p>Wall Cleat</p>
--	---	---	---	---	---

#### KLIX CAM INSTRUCTIONS

<p><b>1</b></p>  <p>Line up Cam Lock, turn clockwise.</p>	<p><b>2</b></p>  <p>Insert the cam with the arrow pointing towards the hole in the edge.</p>	<p><b>3</b></p>  <p>Insert the Cam Lock into Klix Cam. Turn Klix Cam to lock.</p>
---	--	---



#### IMPORTANT :

- Place all wooden parts on a clean, smooth surface to prevent the parts from being scratched.
- Check that you have all parts and hardware.
- Remove all wrapping materials, including staples & packing straps before you start to assemble.
- Do not tighten any screws or bolts until the unit is completely assembled.
- Keep all hardware parts out of reach of children.
- Please ensure that at least 4 of 12 screws that mount the cleat to the wall, are screwed into wall studs.

## MODEL: PL2044OH

### OPEN HUTCH - WALL MOUNT

