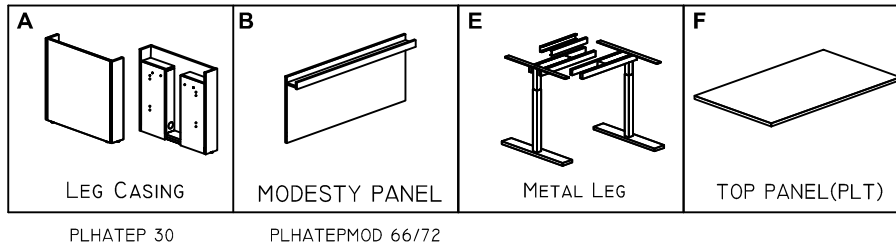


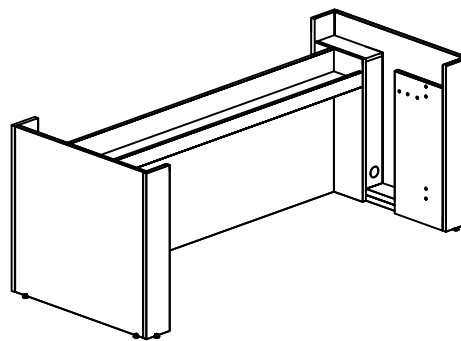
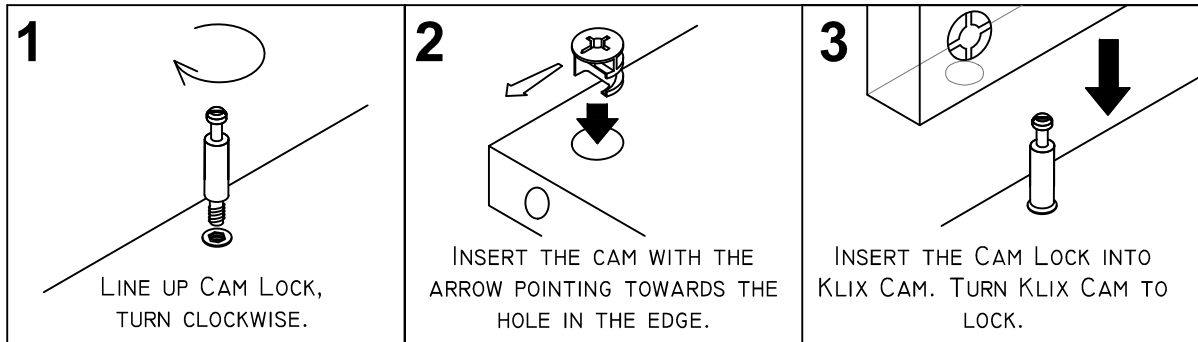
HARDWARE:

HARDWARE PACK PLHATEPMOD 66/72					HARDWARE PACK PLHATEP 30/36							
A1 CAM LOCK 16 Pcs	A2 KLI X CAM 16 Pcs	A3 HOUSING CAP (LONG) 12Pcs	A4 HOUSING CAP (SHORT) 4Pcs	A5 M4 ALLEN-KEY 1 Pc	B1 HOLE PLUG 8MM 8Pcs	B2 D-NUT CAP 6Pcs	B3 ALLEN CAP SCREW M10 x 65MM 8 Pcs	B4 SQUARE PLATE 4 Pcs	B5 ADJUSTABLE GLIDE 12 Pcs	B6 M6 x 70 JCBC SCREW 4 Pcs	B7 M10 ALLEN-KEY 1 Pc	

COMPONENTS:



KLIX CAM INSTRUCTIONS



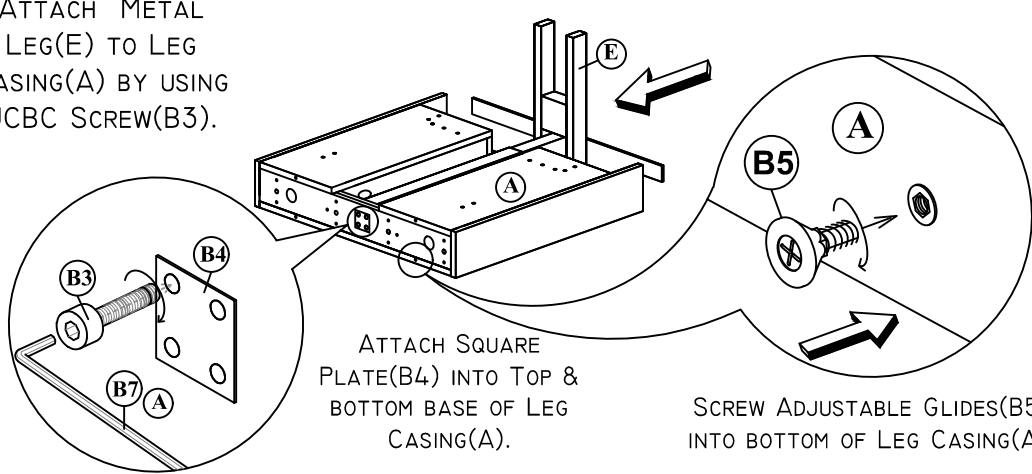
IMPORTANT NOTE:

- Place all wooden parts on a clean, smooth surface to prevent the parts from being scratched.
- Check to be sure that you have all parts and hardware.
- Remove all wrapping materials, including staples & packing straps before you start to assemble.
- Do not tighten all screws/bolts until all completely assembled.
- Keep all hardware parts out of reach of children.

ASSEMBLY INSTRUCTION HEIGHT ADJ EP CASING 30" +HEIGHT ADJ EP CASING 66" /72"

1

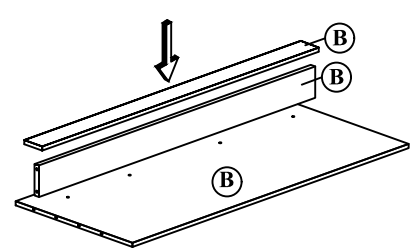
ATTACH METAL LEG (E) TO LEG CASING (A) BY USING JCBC SCREW (B3).



ATTACH SQUARE PLATE (B4) INTO TOP & BOTTOM BASE OF LEG CASING (A).

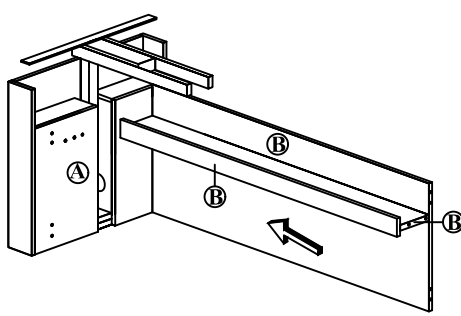
SCREW ADJUSTABLE GLIDES (B5) INTO BOTTOM OF LEG CASING (A).

2



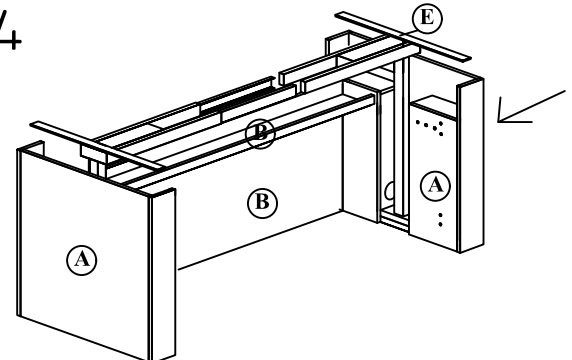
ATTACH SUPPORT PANEL SMALL TO BACK PANEL BY USING CAM LOCK (A1) AND KLIX CAM (A2).

3



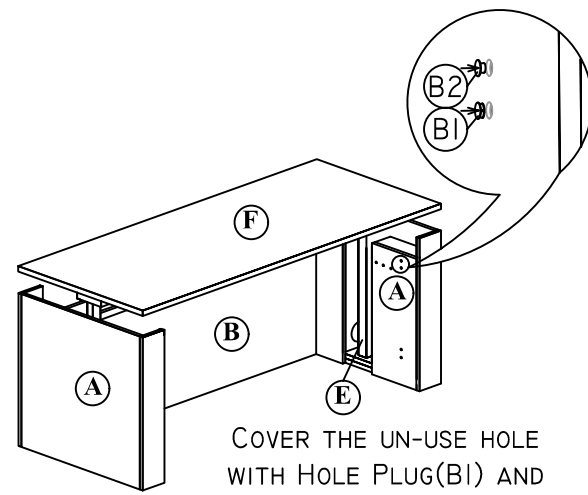
ATTACH LEG CASING (A) TO MODESTY PANEL (B) BY USING CAM LOCK (A1) AND KLIX CAM (A2).

4



ATTACH MODESTY PANEL (B) TO LEG CASING (A) BY USING CAM LOCK (A1) AND KLIX CAM (A2).

5



COVER THE UN-USE HOLE WITH HOLE PLUG (B1) AND D-NUT CAP (B2).