

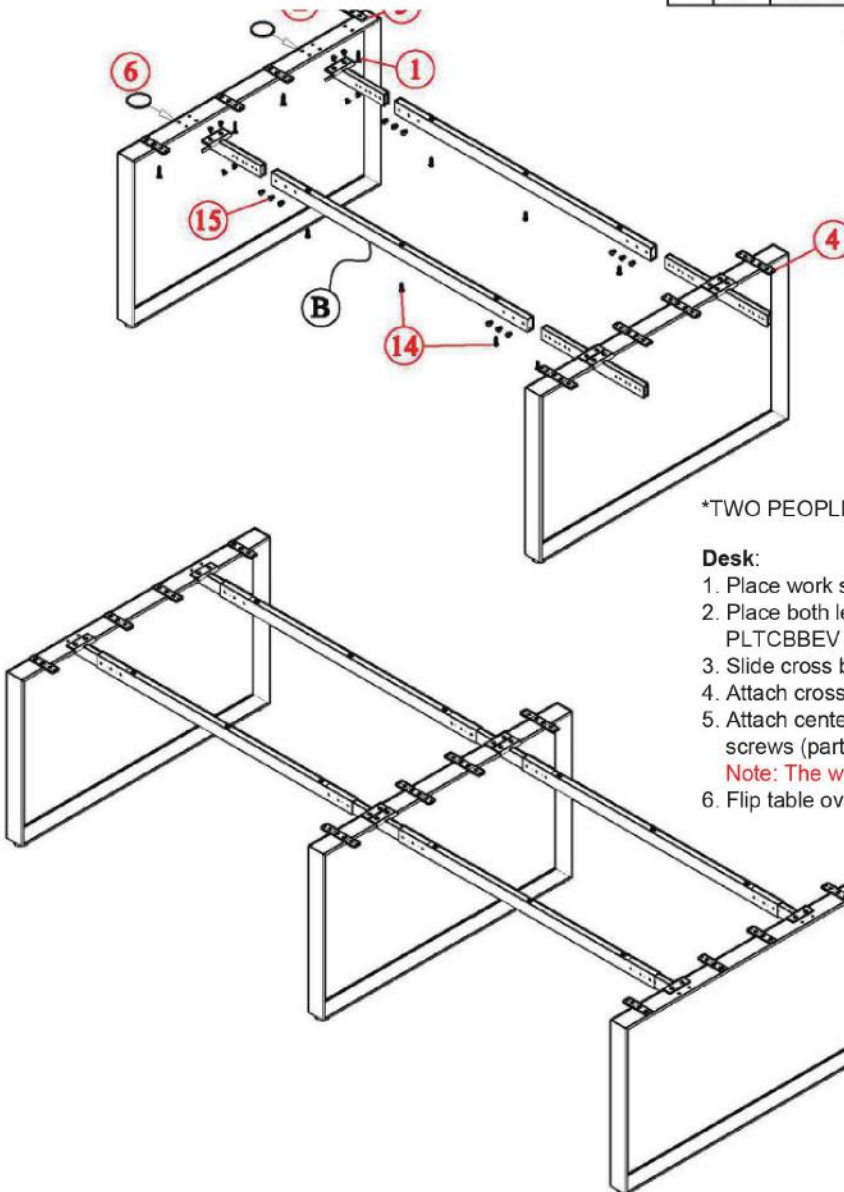


**Part 2 of 2**

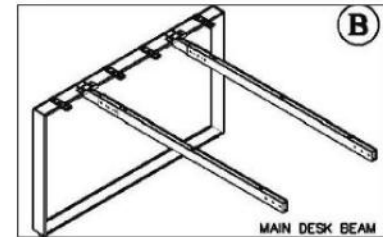
PLT MAIN DESK BEAM

PART LIST

<b>14</b>		Wood Screw x 20 mm	15 pcs
<b>15</b>		Bolt M6 X 12 mm	10 pcs



B. Installation with Fixed Main Desk Beam



\*TWO PEOPLE ARE REQUIRED FOR ASSEMBLY

**Desk:**

1. Place work surface upside down on a clean surface.
2. Place both legs upside down on work surface with tabs PLTCBBEV facing each other.
3. Slide cross beam over both tabs on leg.
4. Attach cross beam to legs using M6 X 12mm (part 15).
5. Attach center legs on the work surface by using wood screws (part 1).

**Note: The wood screw pack is inside the beam.**

6. Flip table over to correct position.

**⚠ ATTENTION ⚠**

Do not tighten any screws or bolts until the unit is completely assembled.

Ensure all bolts and screws are tightened before using the table, check bolts and screws every 6 months.

If any parts are missing, broken, damaged or worn, stop use of product until repairs have been made using factory authorized parts.

Failure to follow these warnings may result in injury.

**Part 1 of 2**

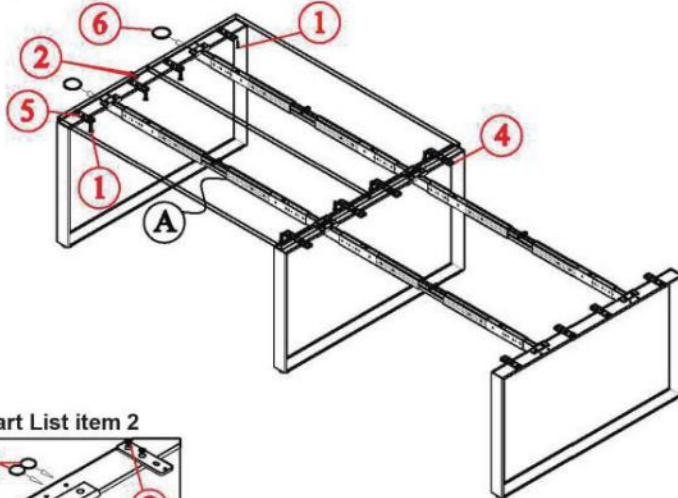
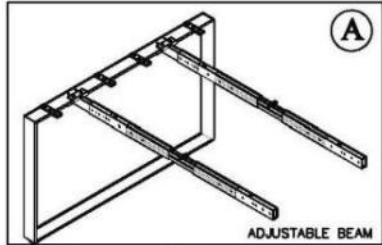
Before assembly, please remove all parts from the carton, verifying that you have the correct quantities, and read all the instructions.

**\*\*Please Note: When attaching the metal legs to the laminate tops, not all of the provided holes on these metal legs will line up with the metal inserts on the laminate tops. The provided wood screws may also need to be used\*\***

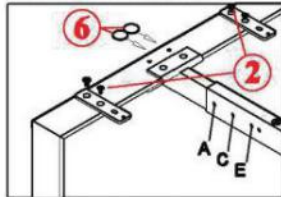
**INSTRUCTIONS:**

**IN THE CARTON:**

A. Installation with Adjustable Main Desk Beam

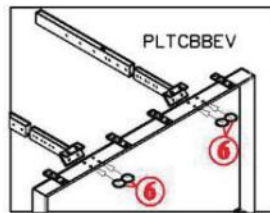


A. Use Part List item 2

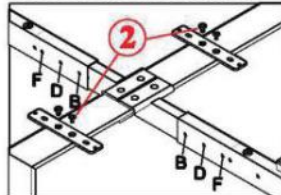


**End Leg Connection**

1. Please use A, C, and E holes
2. Stick in the end leg screw hole

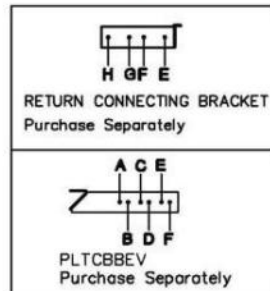


B. Use Part List item 2



**Intermediate Leg Connection**

1. Please use B, D, and F holes



PLTLEGBV 48 / 60  
PART LIST

1		Wood Screw x 20 mm	8 pcs
2		Cam Bolts M6 x 16 mm	8 pcs
3		Bolt M6 X 12 mm	4 pcs
4		Intermediate Top Support Bracket	4 pcs
5		End Top Support Bracket	4 pcs
6		Sticker	8 pcs
7		Allen Key M4	1 pc

ADJUSTABLE BEAM

PART LIST

8		Wood Screw x 20 mm	4 pcs
9		Cam Bolts M6 x 12 mm	1 pc
10		Bolt M6 X 12 mm	12 pcs
11		Center Support Block	1 pc

RETURN CONNECTING BRACKET

PART LIST

12		Bolt M6 X 12 mm	2 pcs
----	--	-----------------	-------

PLTCBBEV

PART LIST

13		Cam Bolts M6 x 12 mm	4 pcs
----	--	----------------------	-------

Work Surfaces are used in many applications. Pre-installed existing metal inserts in the top are not required. For the Element series, 20mm wood screws are provided.

**\*TWO PEOPLE ARE REQUIRED FOR ASSEMBLY**

**Desk:**

1. Place work surface upside down on a clean surface.
2. Place both legs upside down on work surface with tabs PLTCBBEV facing each other.
3. Slide cross beam over both tabs on leg.
4. Attach cross beam to legs using M6 X 12mm (part 10).
5. Attach center legs on the work surface by using wood screws (part 1).
6. Flip table over to correct position.

**Note: The wood screw pack is inside the beam.**