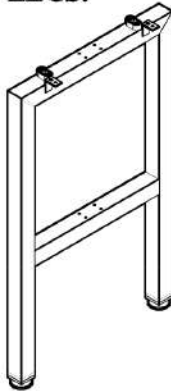


Before assembly, please remove all parts from the carton, verifying that you have the correct quantities, and read all the instructions.

****Please Note:** When attaching the metal legs to the laminate tops, not all of the provided holes on these metal legs will line up with the metal inserts on the laminate tops. The provided wood screws may also need to be used**

REQUIRED COMPONENTS:

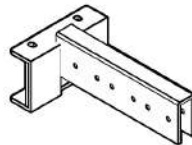
2 x U-LEGS:



Included Hardware

	Wood Screw x 20 mm	12 pcs
	Sticker	8 pcs
	Bolts M6 x 12 mm	4 pcs

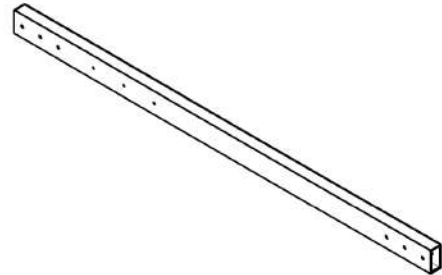
**4 x Connector Beam
Brackets (CBB):
(sold separately)**



Included Hardware

	Bolts M6 x 16 mm	16 pcs
--	-----------------------------	---------------

**2 x Support Beams:
(sold separately)**

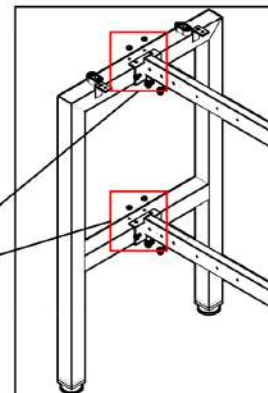
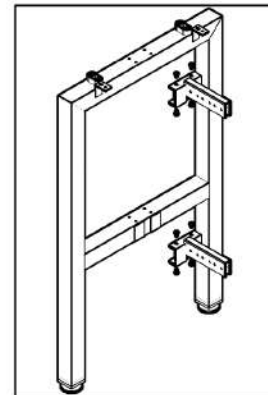


Included Hardware

	Wood Screw x 20 mm	30 pcs
	Bolts M6 x 12 mm	20 pcs

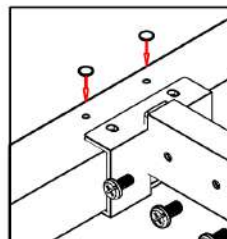
ASSEMBLY FOR DESK:

- 1. Place table top upside down on clean surface .**
- 2. Attach CBBs to upper and lower cross beams of u-legs with M6 x 16 mm bolts .**
- 3. Slide cross beams over CBB ends and attach with M6 x 12 mm bolts.**



END LEG CONNECTION

- Sticker on the end leg screw holes.



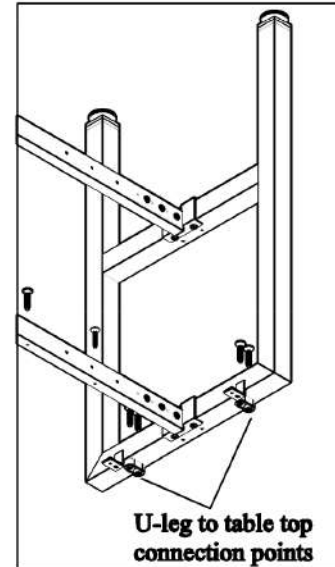


Before assembly, please remove all parts from the carton, verifying that you have the correct quantities, and read all the instructions.

- Turn leg assembly upside down and lay it on table top. Use 20mm wood screws to attach u-legs and support beam to table top.

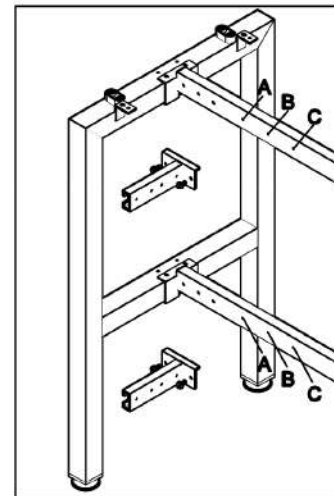
Note : The wood screw pack is inside the beam.

- Turn assembled table right side up.



IF ADDING A DESK RETURN:

- Attach CBBs to main desk beams with M6 x 16 mm bolts. For 24" returns, attach CBBs at holes A & B. For 30" returns, attach CBBs at holes B & C.



-
- Attach CBBs to the return u-leg as shown in step 2, then attach the return support beam to CBBs as shown in step 3.
-

- Attach the return top to the return leg assembly with 20 mm wood screws.

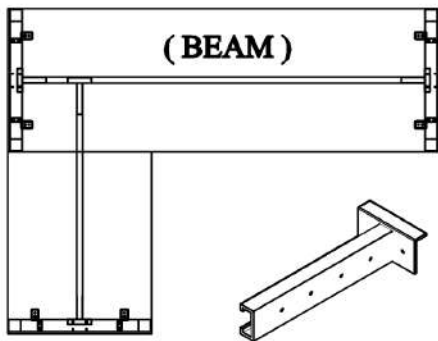
Note : The wood screw pack is inside the return beam.



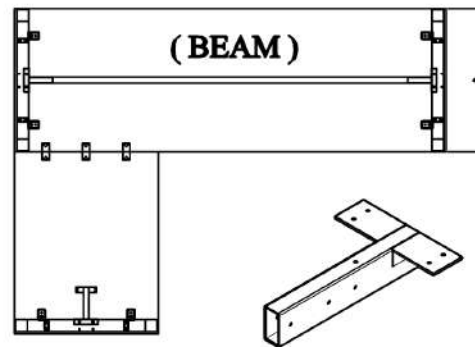
Before assembly, please remove all parts from the carton, verifying that you have the correct quantities, and read all the instructions.

RETURN OPTIONS:

OPTION 1 - RETURN BEAM



OPTION 2 - RETURN SUPPORT



⚠ ATTENTION ⚠

Ensure all bolts and screws are tightened, check bolts and screws every 6 months.

If any parts are missing, broken, damaged or worn, stop use of product until repairs have been made using factory authorized parts.

Failure to follow these warnings may result in injury.