

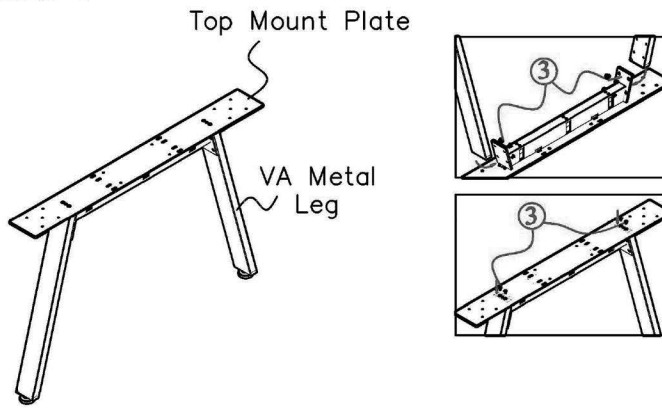
ASSEMBLY INSTRUCTIONS

MODEL: PLTVALEGMOUNT4860

Before assembly, please remove all parts from the carton, verifying that you have the correct quantities, and read all the instructions.
****Please Note: When attaching the metal legs to the laminated tops, installed D-Nut holes are to be used as a guideline only for installation, wood screws need to be attached as well, whenever they are provided. Not all of the provided holes on these metal legs will line up with the inserts on the laminated tops. The provided wood screw may also need to be used****

INSTRUCTIONS:

STEP 1



IN THE CARTON:

Parts List

1		Allen Key	1 pc
2		Wood Screw x 20 mm	14 pcs
3		CSK Bolt M6 X 20	12 pcs
4		Jam Screw	6 pcs
5		Bolts M6 x 16mm	2 pcs
6		#17MM Flat Washer	2 pcs
7		Spacer	6 pcs

SOLD SEPARATELY:

Main Desk Beam Parts List PLTMAINDESKBEAM

8		Wood Screw X 20 mm	4 pcs
9		CSK Bolt M6 X 16mm	1 pc
10		Bolts M6 x 12mm	12 pcs

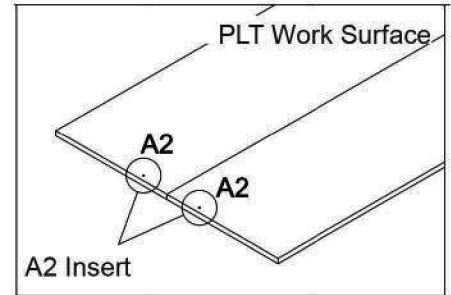
Through Beam Parts List PLTMBMBC

11		Bolts M6 x 12mm	6 pcs
----	--	--------------------	-------

Place the VA metal or wood leg on the top mount plate, and use bolts (part 3) to lightly tighten the VA leg to the top mount plate. When everything is in position, then screw in the bolts tightly.

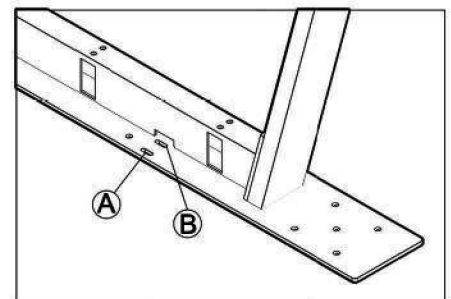
STEP 2

1. Place table tops upside down on a clean surface
2. PLT table tops are used for several applications, and have many metal inserts. Only one "A2" insert per top is used for the VA leg, as per the PLT instructions.



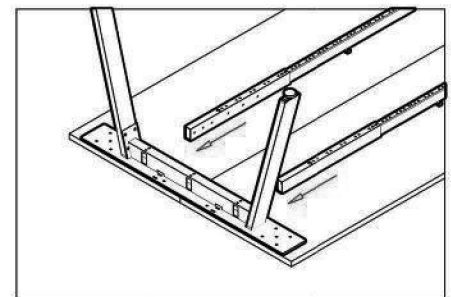
STEP 3

3. Place leg over top and insert bolt (part 5) with washer (part 6) through hole "A" in legs and into "A2" inserts. Do not over tighten. Leg holes are slotted, so that work surfaces can be pushed apart to allow spacing between tops for cables and acrylic panels. If no spacing is required, push tops together and then tighten bolts. If spacing is required, separate the tops until fully extended.



STEP 4

4. Slide the metal desk beams slightly through the VA legs openings

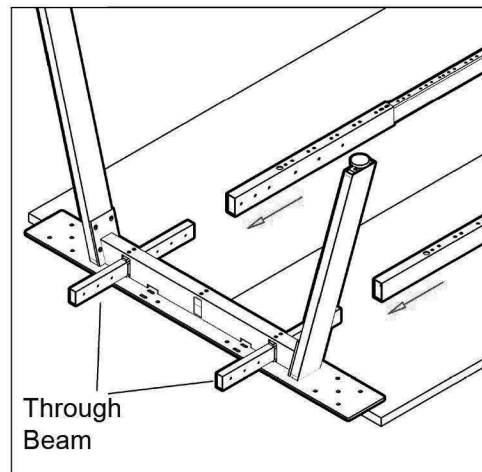


ASSEMBLY INSTRUCTIONS

MODEL: PLTVALEGMOUNT4860

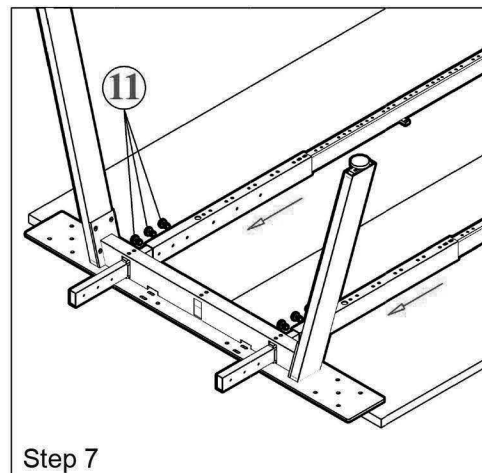
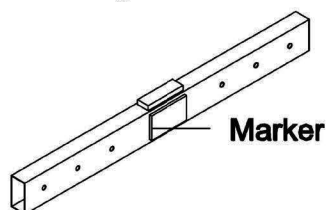
STEP 5

5. Fasten the center leg to the top, following step 3, but using hole "B" in the leg
6. Remove pre-installed end caps from the second leg. Insert through beam connectors, through leg openings, and into desk beams



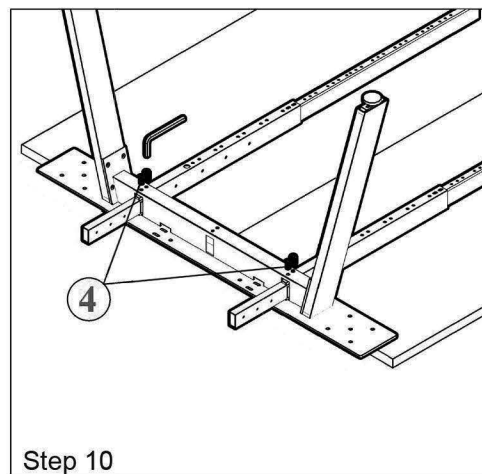
STEP 6

7. Insert bolts (part 11) through beams into beam connector
8. Adjust desk beams, so the through beam connector marker is centered in the second leg



STEP 7

9. If spacing is required between work surfaces, confirm spacing is even at both ends. You may need to adjust. Tighten the bolts in steps 3 and 5
10. Tighten the desk beam to each "VA" leg, by using set screws (part 4)

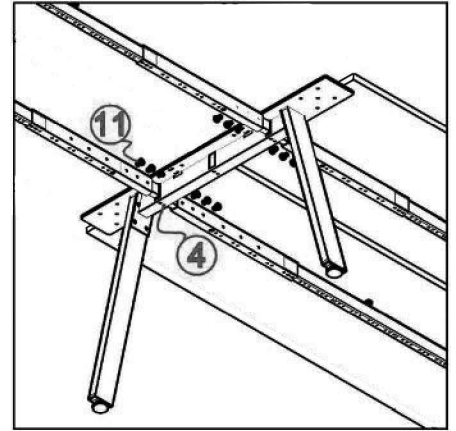


ASSEMBLY INSTRUCTIONS

MODEL: PLTVALEGMOUNT4860

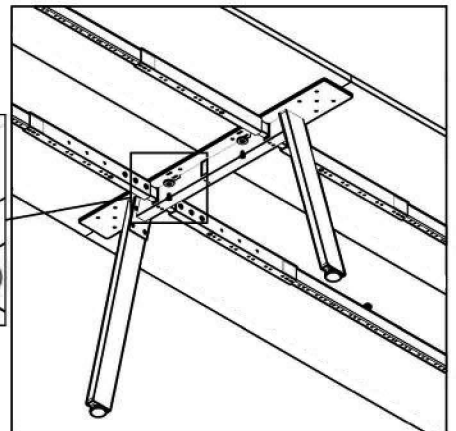
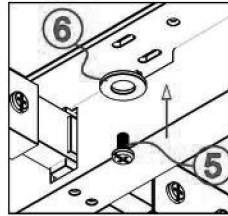
STEP 8

11. With the tables in the upright position, install the metal desk beams over the through beam connector, as well as through the openings in the third leg
12. Lightly tighten set screws (part 4) in the third leg
13. Insert bolts (part 11) through beams into beam connector



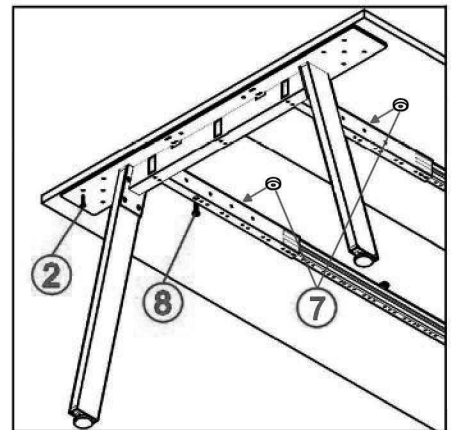
STEP 9

14. Place third top onto frame and fasten top to the second leg by inserting bolt (part 5) with washer (part 6) through hole "B" in leg and into A2 insert.
15. Place fourth top onto frame and fasten top to the second leg by inserting bolt (part 5) with washer (part 6) through hole "B" in leg and into A2 insert.
16. If spacing is required between work surfaces confirm spacing is even at both ends. You may need to adjust. Tighten the bolts installed in steps 14 and 15.



STEP 10

17. Depending on the length of the desk beam, there are either two or three holes through the beam to the work surface. Place one spacer (part 7) between the beam and the work surface under each hole. Attach surface using wood screws (part 8). Repeat this step for all metal desk beams.
18. Use wood screws (part 2) to attach the leg to the work surface
Note : The wood screw pack is inside the beam.



⚠ ATTENTION ⚠

Do not tighten any screws or bolts until the unit is completely assembled.

Ensure all bolts and screws are tightened before using the table, check bolts and screws every 6 months.

If any parts are missing, broken, damaged or worn, stop use of product until repairs have been made using factory authorized parts.

Failure to follow these warnings may result in injury.